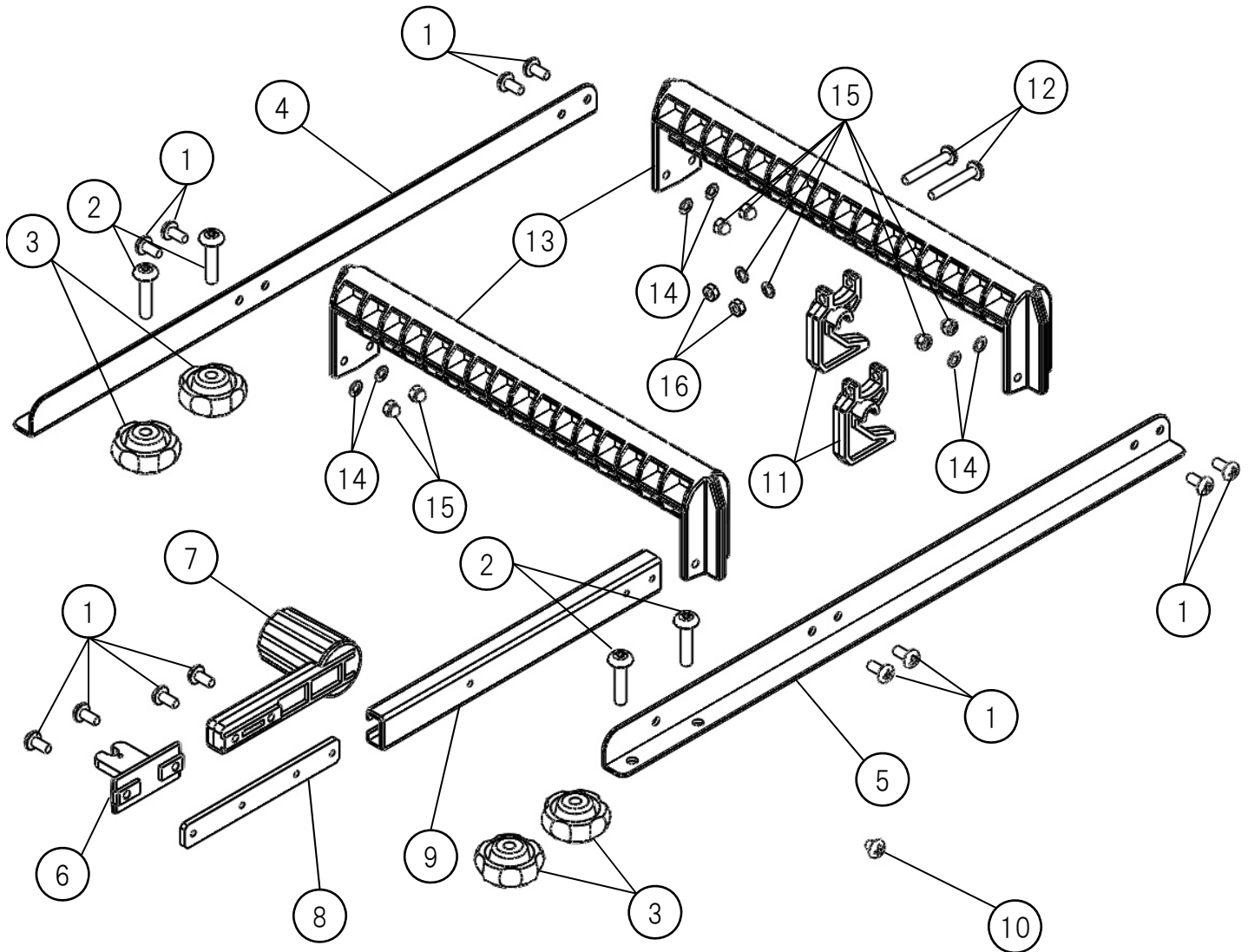


SINGLE HAND UNIT av-2



No.	CODE	DESCRIPTION
1	3990100115	SCREW M4X10 FOR STRAP HOLDER
2	3990100416	TRUSS SCREW (M5X25 SUS)
3	3952086007	KNOB/ADJUSTAXIS WITH NUT M5
4	3950500002	MAIN BAR RIGHT 15X20
5	3950500001	MAIN BAR LEFT 15X20
6	3952080203	SWITCH JOINT POM BK
7	3952080113	SWITCH KNOB FOR AVX
8	3950500013	SWITCH JOINT (15X155 AL)
9	3950500015	SLIDER BAR
10	3990100410	TRUSS SCREW (M4X5 SUS)
11	3952080210	CENTER RIB HOOK
12	3990100452	TRUSS SCREW (M4X30 SUS)
13	3952080114	HANDLE BAR FR BK FOR AVX
14	3990100011	WASHER M4 SUS304 4.3X8
15	3990100098	NUT SUS M4
16	3990100520	O150-54 NUT/HEX M4 MOTOR ASSY