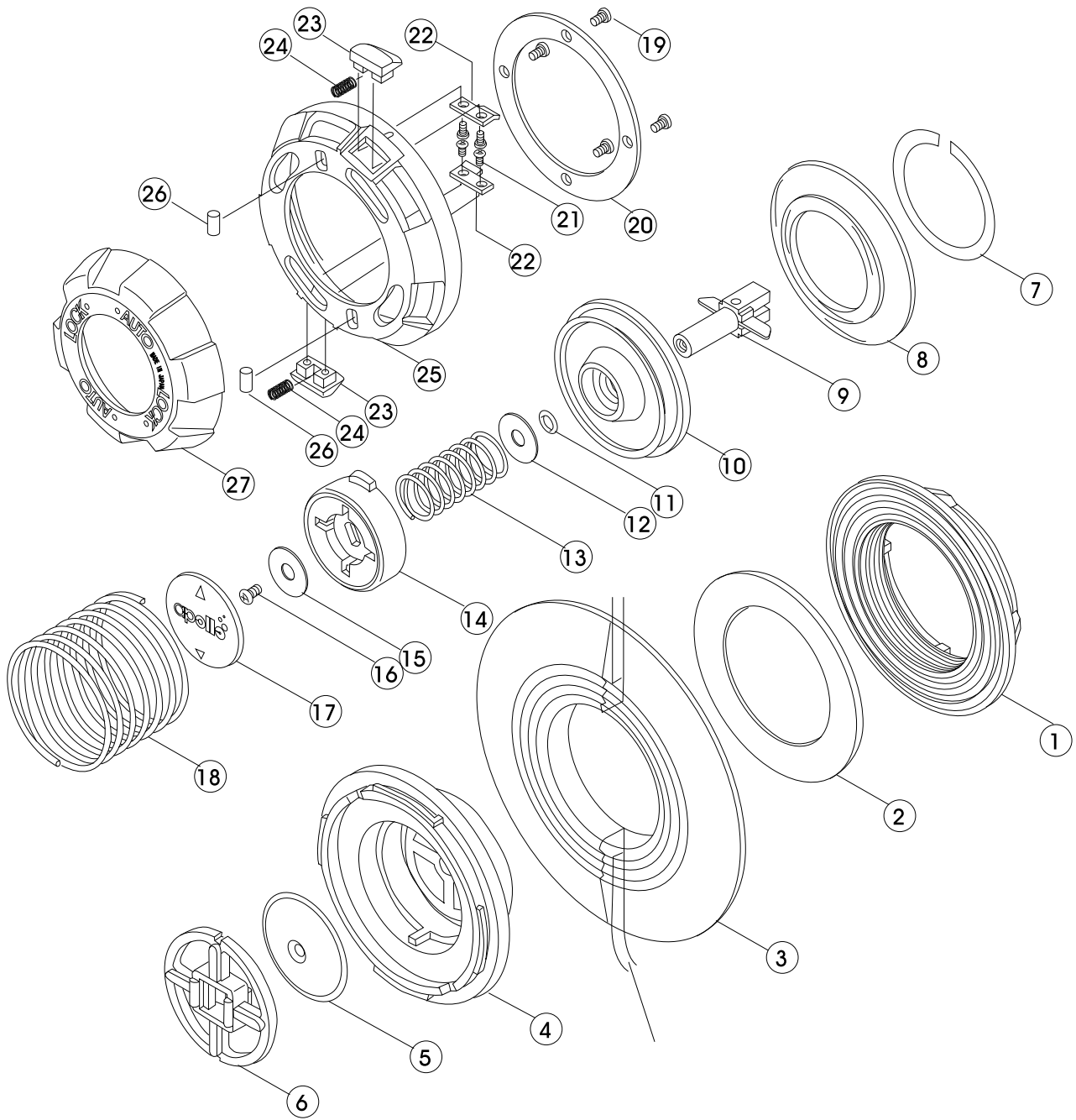


Super ex valve



No.	Code	Description
	2400100015	EXHAUST VALVE UNIT
1	3402080031	BACK CAP FOR DRY SUITS VALVE
2	3402470000	DRY VALVE SLIP RING FOR B.V.S.INLET/EX
3	3403080000	DRY VALVE PACKING
4	3402080041	BASE
5	3103055002	EXHAUST VALVE 2ND STAGE
6	3402080048	SPIDER
7	3401100006	VALVE HOLD FOR B.V.S.EX
8	3403070000	VALVE FOR B.V.S.EX
9	2400100014	SHAFT FOR EXHAUST VALVE
10	3402080044	VALVE HOLDER
11	3993090006	O-RING P-6/HS50 FOR DRY SUIT VALVE
12	3401100014	WASHER ATV212 SUS304 FOR DRY SUITS VALVE
13	3401200041	SPRING

No.	Code	Description
14	3402080045	BUTTON
15	3401100013	MANUAL BUTTON WASHER FOR DRY SUIT VALVE
16	3990100076	SCREW M3X6 TP SUS304 FOR DRY SUIT VALVE
17	3404680000	DECAL
18	3401200042	SPRING
19	3990100075	SCREW
20	3401100012	CLICK PLATE
21	3990100074	SCREW
22	3401100005	LOCK PLATE
23	3402080047	BUTTON
24	3401200043	LOCK SPRING SUS304
25	3402080042	COVER
26	3990100070	PIN
27	3402080043	ADJUST RING