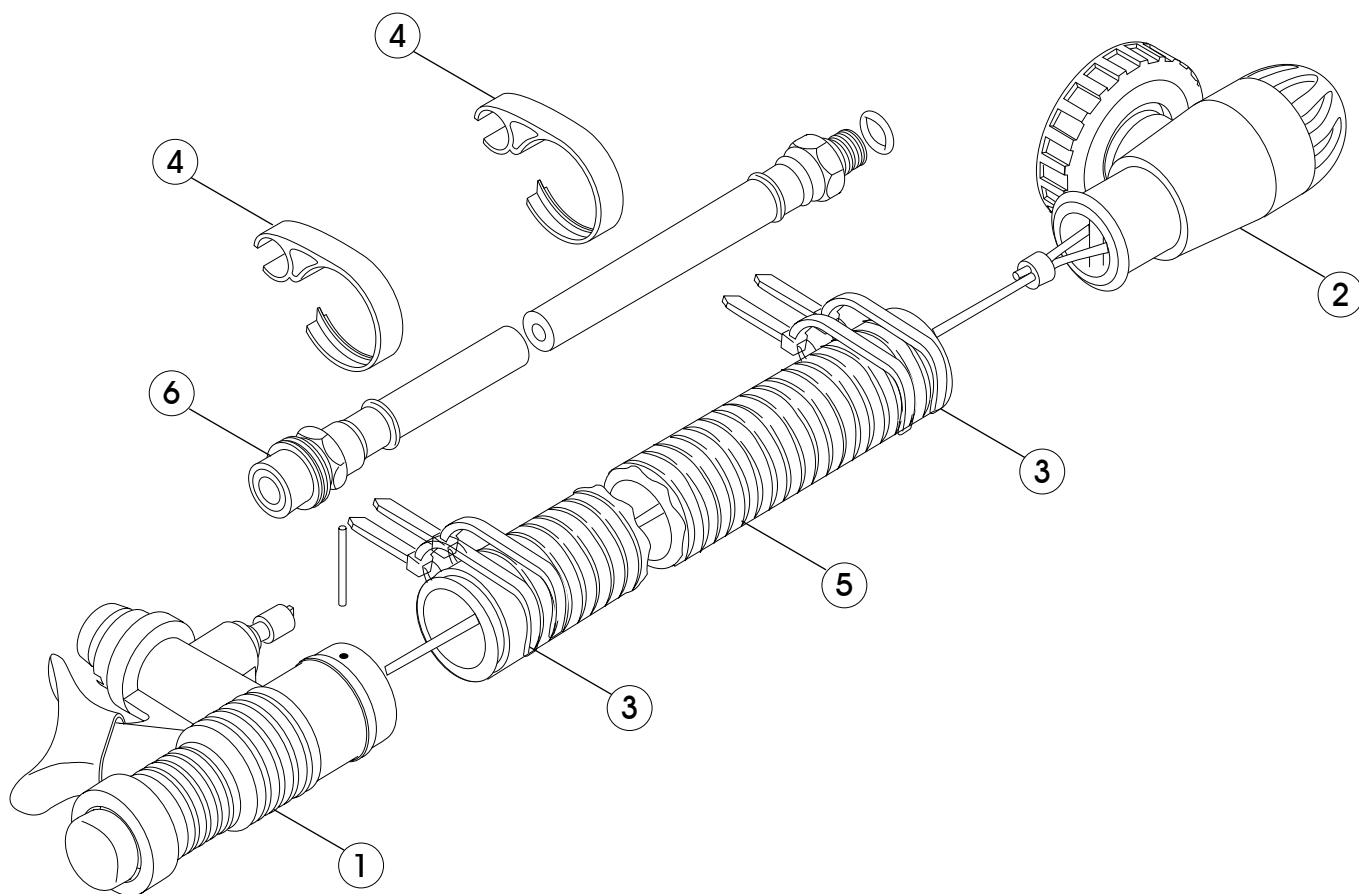


Corrugated hose for bio-lift, bio-control XD



No.	Code	Description
1	2300110301	POWER INFLATOR ASSY FOR BIO LIFT, XD
2	2300180201	QUICK VALVE ASSY WITH WIRE FOR B.C.
3	3302980000	NYLON CLAMP (BK)
4	3302080302	HOSE CLIP
5	3302180016	17" RUBBER FLEX HOSE
6	2300280070	L.P. HOSE WITH BALL JOINT 70CM
1~5	2300280304	CORRUGATED HOSE