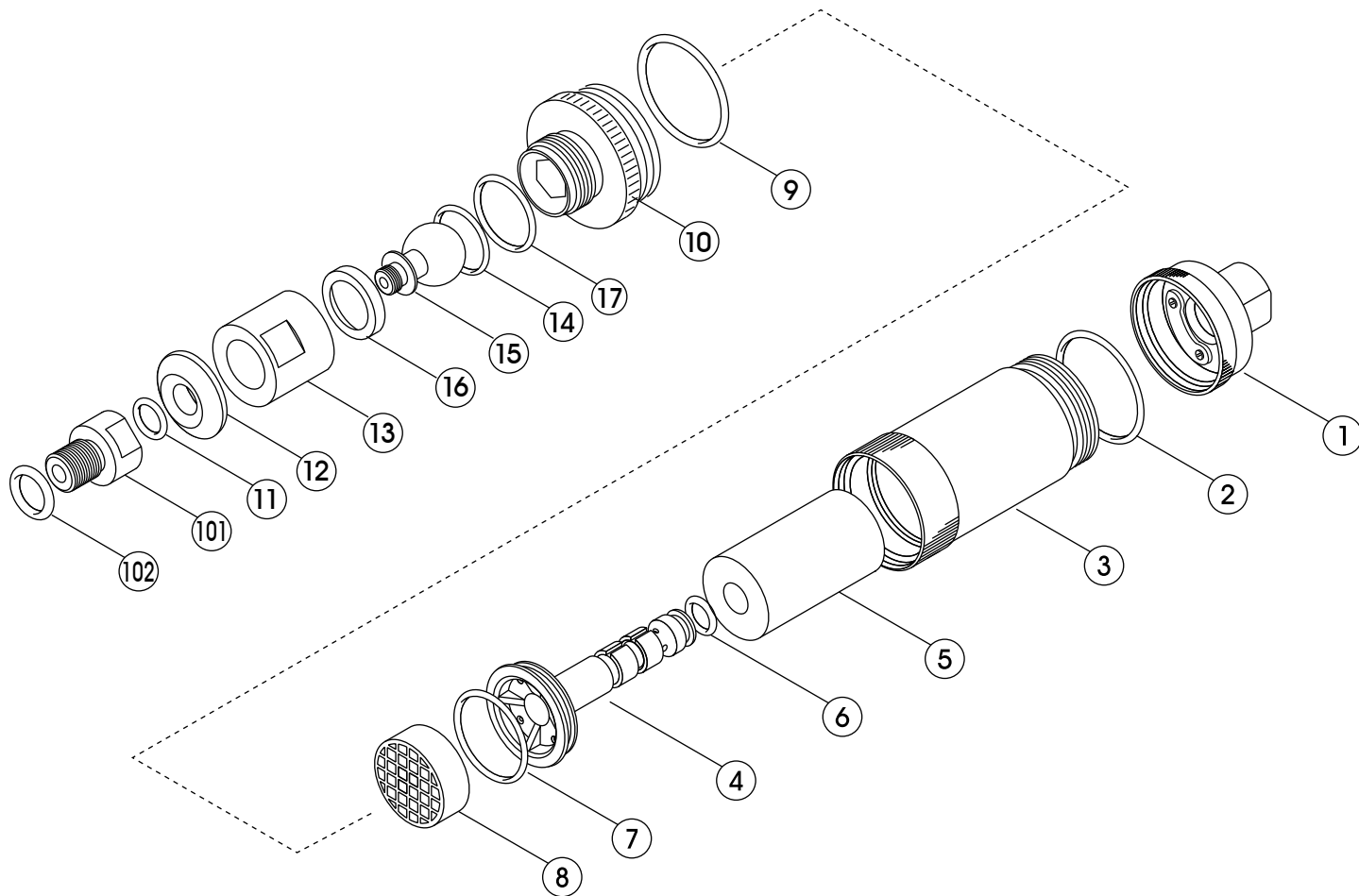


bio-filter after '04



※ Parts #101 to #102 are only used in 1/2 port units.

No.	Code	Description	No.	Code	Description
1	2120270101	CAP WITH WATER FILLING PORT SILVER/ BRASS 3/8	11	3993592011	O-RING ARP-01 1/HS75
	2120200100	CAP WITH WATER FILLING PORT S.GD 3/8 (AL-2000-2016)	12	3123080002	DAMPER : HS75 FOR BF
	2120200110	CAP WITH WATER FILLING PORT S.GD 1/2 (AL-2000-2016)	13	3120200016	COVER : MBCR-3 C3601B FOR B.F
2	3993592023	O-RING ARP-023	14	3993392513	O-RING S-16/HS75 FOR REGULATOR
3	3120200023	HUMIDIFIER TUBE FOR B/F :TEXTURED BRASS	15	3120200015	BALL : MBCR-3 C6783B FOR B.F
	3120200012	HUMIDIFIER TUBE FOR B/F :TEXTURED (AL - RETIRED)	16	3120200042	BALL RECEIVER FOR B/F (WT)
	3102080069	MOISTURIZER TUBE FOR BIO-FILTER	17	3993393518	O-RING S-18/HS75 FOR REGULATOR
4	1120200003	MOISTURIZING PAD 47MM FOR BIO-FILTER	101	1129800013	ADAPTER (STANDARD 3/8 TO 1/2")
5	3993092004	O-RING P-7 FOR REGULATOR	102	3993592013	O-RING ARP-013/HS75 (1/2" ONLY)
6	3993592020	O-RING ARP-020		3122000101	CHECK VALVE (FOR CAP, NO. 1)
7	1122000006	ELECTRET FILTER CL FOR B/F, B/M & A-107,110,210,230		3120010000	SCREW FOR CHECK VALVE
8	3993592023	O-RING ARP-023			
9	3120200025	CONNECTOR TUBE SILVER/ BRASS			
10	3120200026	CONNECTOR TUBE SILVER (AL 2000-2016)			