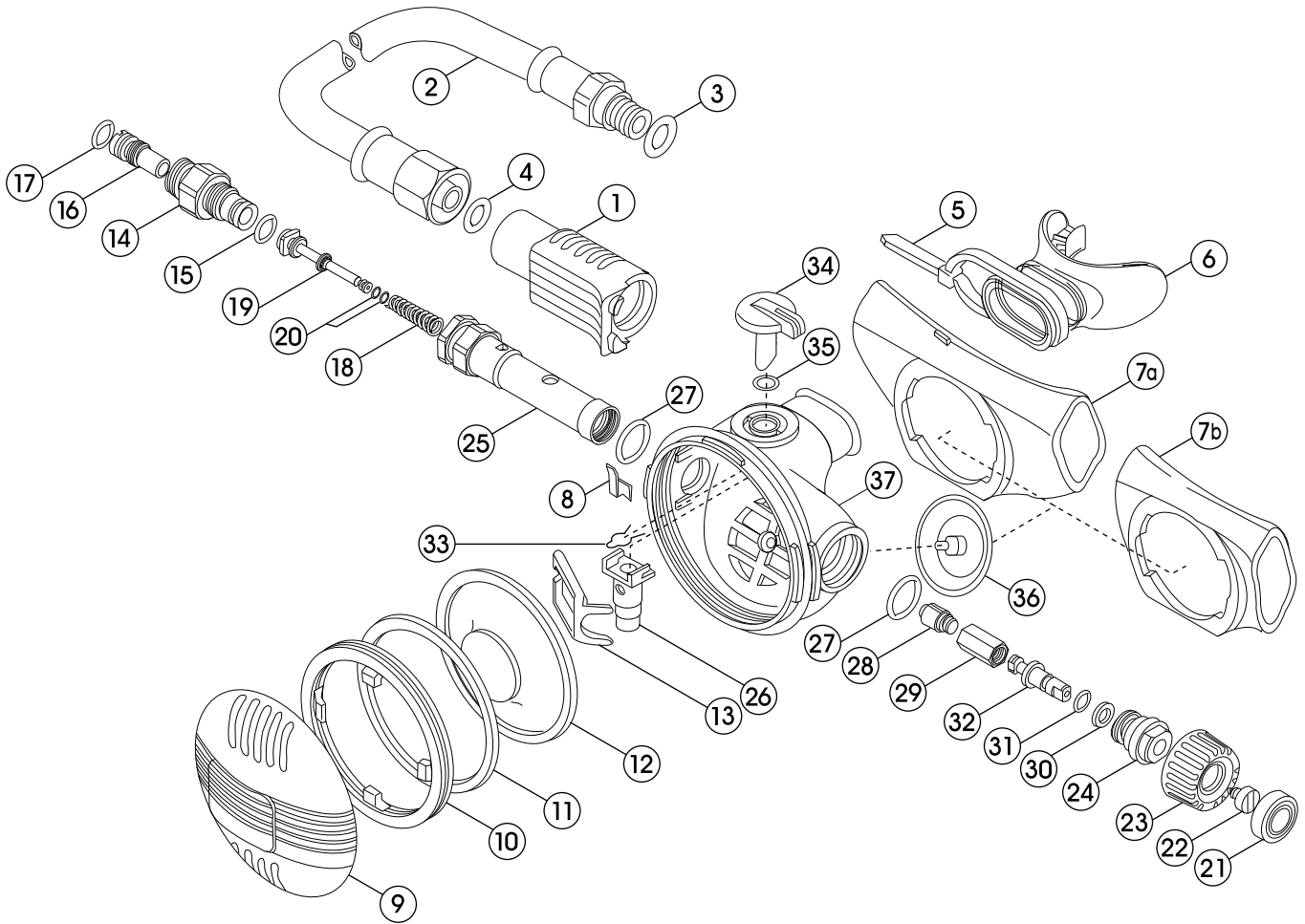


2nd stage prestige balance



| No. | Code | Description |
|-----|------------|---|
| 1 | 3102080113 | HOSE PROTECTOR |
| 2 | | L.P. HOSE FOR REGULATOR 70CM |
| | 3113983090 | L.P. HOSE FOR OCT (BK) 90CM |
| 3 | 3993592011 | O-RING ARP-011/HS75 |
| 4 | 3993592010 | O-RING ARP-010/HS75 |
| 5 | 3992970100 | NYLON CLAMP (WT) |
| 6 | 3103080037 | MOUTHPIECE PRESTIGE (BK) |
| 7 | 2102081004 | EXHAUST TEE FOR REGULATOR BIO, PRESTIGE |
| | 2102081006 | EXHAUST TEE FOR OCTOPUS BIO, PRESTIGE |
| 8 | 3101180002 | TOP COVER LOCK SPRING ED2R13 SUS304SP |
| 9 | 2102121201 | TOP COVER ASSY B : PRESTIGE (F.PK) |
| 10 | 3102080112 | SNAP RING ABS BK |
| 11 | 3102470003 | COVER RING |
| 12 | 2100070000 | DIAPHRAGM : WT SILICON FOR BIO |
| 13 | 3101100084 | DEMAND LEVER : FOR PRESTIGE 2ND |
| 14 | 3100103102 | VALVE CONE HOLDER B |
| 15 | 3993592011 | O-RING ARP-011/HS75 |
| 16 | 3100103101 | VALVE CONE B |
| 17 | 3993392504 | O-RING S-7/HS75 |

| No. | Code | Description |
|-----|------------|--|
| 18 | 3101200017 | CARRIER SPRING B PRESTIGE BALANCE |
| 19 | 2100100014 | VALVE SEAT/CARRIER ASSY - PRESTIGE |
| 20 | 3993970001 | O-RING/VALVE SEAT CARRIER B PRESTIGE-B |
| 21 | 3102080109 | KNOB CAP (BK) |
| 22 | 3990100155 | TRUSS SCREW (M3.5) |
| 23 | 3102080108 | ADJUSTING KNOB |
| 24 | 3100103104 | BONNET B PRESTIGE BALANCE |
| 25 | 3100103103 | VALVE HOUSING B PRESTIGE BALANCE |
| 26 | 3102080111 | AIR FLOW TUBE |
| 27 | 3993592015 | O-RING ARP-015/HS75 |
| 28 | 3102080120 | CYLINDER B PRESTIGE BALANCE |
| 29 | 3100103106 | NUT B PRESTIGE BALANCE |
| 30 | 3102400002 | TEFLON WASHER FOR SS 2ND STAGE |
| 31 | 3993390504 | O-RING S-4 |
| 32 | 3100103105 | SHAFT B PRESTIGE BALANCE |
| 33 | 3990900002 | CLIP |
| 34 | 3102080110 | AIR FLOW ADJUSTER |
| 35 | 3993390504 | O-RING S-4 |
| 36 | 3103070014 | EXHAUST VALVE |
| 37 | 3102080300 | BOTTOM CASE : FOR PRESTIGE 2ND |