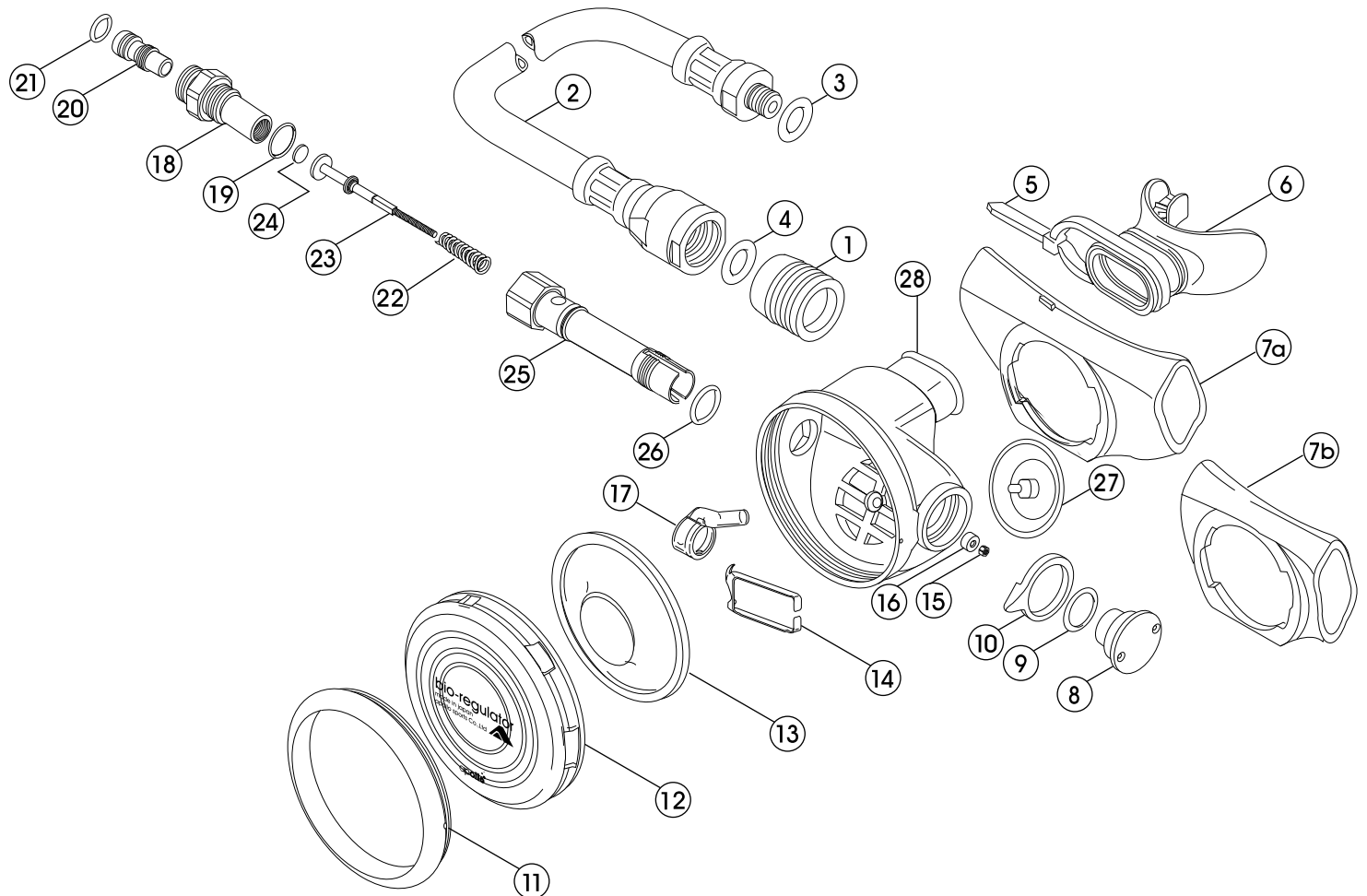


# 2nd stage bio



No.	Code	Description
1	3103080050	RUBBER PROTECTOR FOR REGULATOR (BIO&EX)
2	2185004073	L.P. HOSE WITH BALLJOINT FOR REGULATOR 70CM
	2185006090	L.P. HOSE WITH BALLJOINT FOR OCT (YL) 90CM
	2185004062	L.P. HOSE WITH BALLJOINT FOR REGULATOR 60CM
	2185004092	L.P. HOSE WITH BALL JOINT FOR OCT (BK) 90CM
3	3993592011	O-RING ARP-011/HS75
4	3993592013	O-RING ARP-013/HS75
5	3992980100	NYLON CLAMP RING
6	3103080037	MOUTHPIECE PRESTIGE (BK)
7a	2102081004	EXHAUST TEE FOR REGULATOR BIO, PRESTIGE
7b	2102081006	EXHAUST TEE FOR OCTOPUS BIO, PRESTIGE
8	3102080408	BONNET AL-POM FOR BIO REGULATOR
9	3993592015	O-RING ARP-015/HS75
10	3102080402	TOP COVER LOCK : FOR BIO
11	3100100106	TOP COVER RING FOR BIO : WT ALMINUM
	3100100122	TOP COVER RING FOR BIO : YL ALMINUM
12	3102080403	TOP COVER : FOR BIO

No.	Code	Description
13	2100070000	DIAPHRAGM : WT SILICON FOR BIO
14	3101100087	DEMAND LEVER : WATER REPELLANT FOR BIO
15	3990100120	NYLON NUT : M3 SUS304 FOR BIO
16		LEVER SPACER : WATER REPELLANT
17	3103170001	B.A.S TUBE : SILICON HS70 FOR BIO
18	3100100101	VALVE CONE HOLDER : FOR BIO
19	3993592014	O-RING ARP-014/HS75
20	3100100104	VALVE CONE POM : 2ND WT FOR BIO
21	3993592010	O-RING ARP-010/HS75
22	3101200063	STANDARD CARRIER SPRING FOR BIO
23	3100100112	VALVE SEAT CARRIER : WATER REPELLANT
24	3103080013	2ND STAGE VALVE SEAT
25	3100100110	VALVE HOUSING : WATER REPELLANT
26	3993592015	O-RING ARP-015/HS75
27	3103070014	EXHAUST VALVE
28	3102080400	BOTTOM CASE : BK FOR BIO