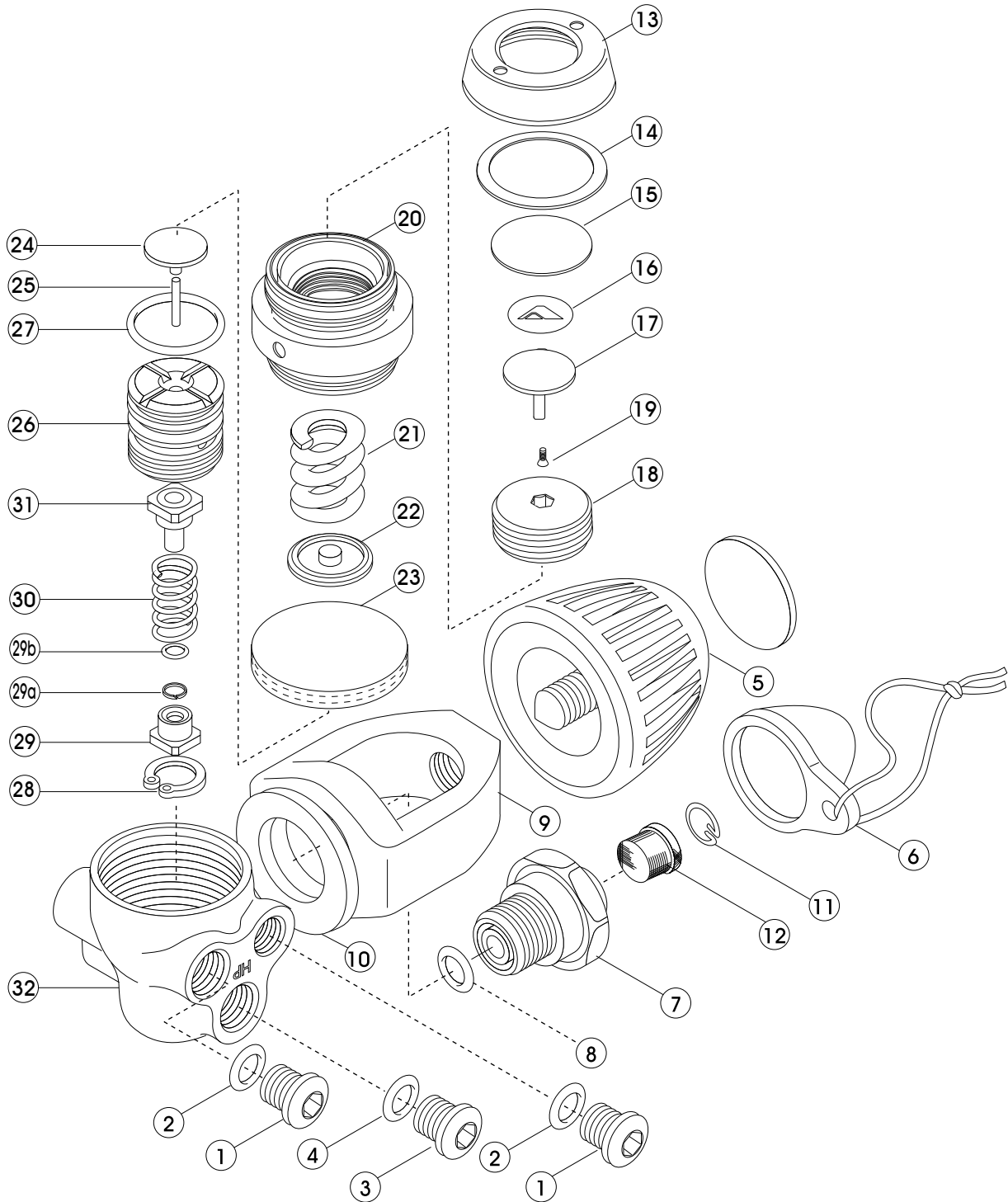


# 1st stage a-320 Nrx



No.	Code	Description
1	3100101101	PLUG (A) : 3/8 FOR L.P.
2	3993592011	O-RING ARP-011/HS75 ID/7.65
3	3100101102	PLUG (C) : 7/16 FOR H.P.
4	3993898012	O-RING ARP-012/HS90 ID/9.25 VITON
5	2102080158	YOKE SCREW W/DECAL
6	1184380003	DUST CAP ASSY
7	3100101106	YOKE RETAINER : A-102/108/320
8	3993898011	O-RING ARP-011/HS90 ID/7.65 VITON
9	3101300031	YOKE : A-320
10	3102480000	YOKE SPACER : A-108/320
11	3101200064	FILTER RETAINER FOR A-102,108,110,120
12	3990800412	FILTER 150 MICRON BUCKET TYPE
13	3100101201	OUTER DIAPHRAGM HOLDER
14	3102480001	DIAPHRAGM WASHER PET
15	3102400021	OUTER DIAPHRAGM
16	3104681000	BIO MARKED STICKER FOR PISTON
17	3100101108	PISTON : FOR A-108/110/320
18	3100101110	ADJUST SCREW : FOR A-108/110/320

No.	Code	Description
19	3990100063	SCREW SUS M2X6
20	3100101109	LOCK NUT : FOR A-108
21	3101200062	ADJUST SPRING FOR L.P:FOR REGULATOR
22	3100101111	SPRING PAD : FOR A-101,2,5,7,8,10,320
23	3103980105	HIGH PRESSURE DIAPHRAGM
24	3100101105	PUSH ROD PAD : FOR A-101,2,5,7,8,10
25	3990100072	PUSH ROD PIN : A-101,2,5,7,8,10
26	3100101115	H.P. MODULE WITH GUIDE SPEC FOR REGULATOR
27	3993898017	O-RING ARP-017/HS90 ID/17.17 VITON
28	3990500101	RETAINING RING
29	2100100050	BALANCE CHAMBER WITH O-RING: A-101,2,5,7,8,10,20
29a	3102070000	BACKUP RING: A-101,2,5,7,8,10,320
29b	3993898006	O-RING ARP-006/HS90 ID/2.90 VITON
30	3101200071	HIGH PRESSURE SPRING : A-101,2,5,7,8,10,320
31	3100103210	PTMEG 2000 HIGH PRESSURE SEAT
32	3101300030	BODY : A-320 3/8x4,7/16x2