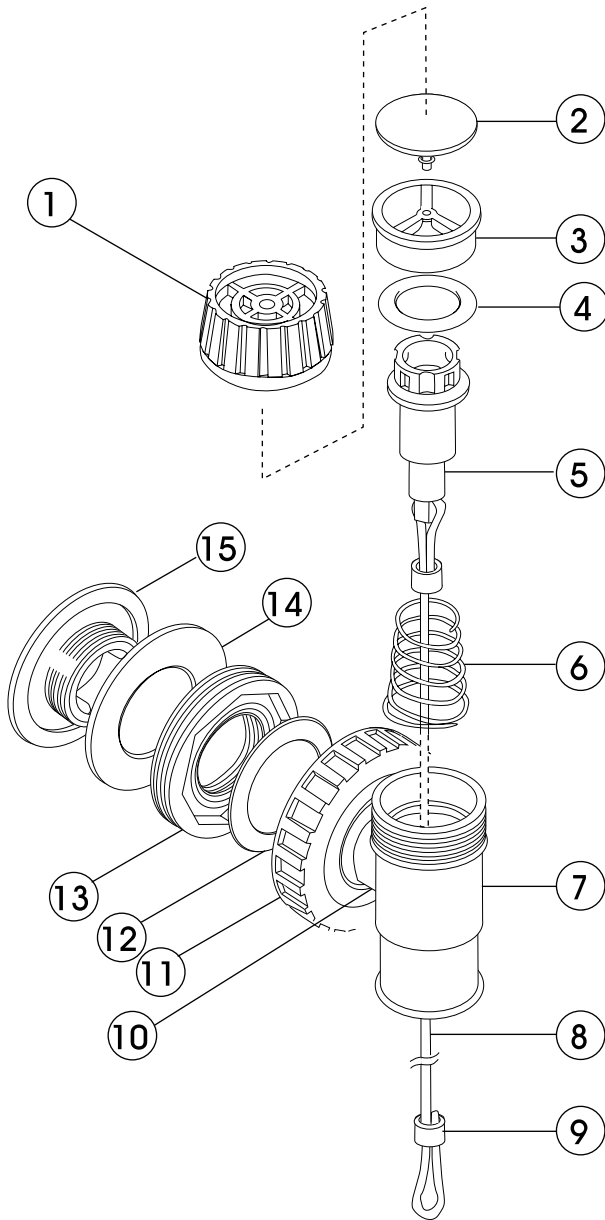


Quick valve Assy / Safety valve Assy



$$\textcircled{7} + \textcircled{10} + \textcircled{11} = \textcircled{16}$$

Please note :

When reassembling valve retainer, ensure that exhaust valve is placed on top of the retainer.

No.	Code	Description
1	3302080101	DUMP VALVE CAP FOR B.C.
2	3603000003	EXHAUST VALVE CLEAR/QV SNORKEL
3	3302080102	VALVE RETAINER FOR B.C.
4	3993590210	O-RING ARP-210/HS50 FOR B.C.
5	3302080104	QV-4B CONE VALVE FOR B.C.
6	3301200007	SPRING (DUMP VALVE) FOR B.C.
7	3302080103	QV-4B HOUSING FOR B.C.
8	3301200003	WIRE FOR B.C.
9	3301900001	COPPER NUT FOR STEEL CABLE FOR B.C.
10	3302080109	COLLAR RETAINER #2 FOR B.C.
11	3302080110	COLLAR INFLATOR FOR B.C.
12	3303480104	GASKET - S #2 FOR B.C.
13	3302080218	MANIFOLD FOR B.C.
14	3303480006	DOUBLE GASKET FOR B.C.
15	3302080217	RETAINER, LOWER FOR B.C.
16	2300180115	HOUSING ASSY ABJ
1~11	2300180109	QUICK VALVE ASSEMBLY WITH WIRE FOR B.C.

No.	Code	Description
17	3302080217	RETAINER, LOWER FOR B.C.
18	3303480006	DOUBLE GASKET FOR B.C.
19	3302080218	MANIFOLD FOR B.C.
20	3303470001	VALVE SEAT SILICONE FOR B.C.
21	3302080013	VALVE RETAINER FOR B.C.
22	3301200014	SPRING SV 89 FOR B.C.
23	3302080111	CAP RELIEF VALVE #2 FOR B.C.
24	3302080017	PULL KNOB FOR OVER PRESSURE VALVE - USD
25	3990504002	WASHER (B) FOR B.C.
26	3304080035	CORD FOR B.C. (1.5x35MM)
20~26	2300280001	PULL KNOB ASSY FOR B.C.