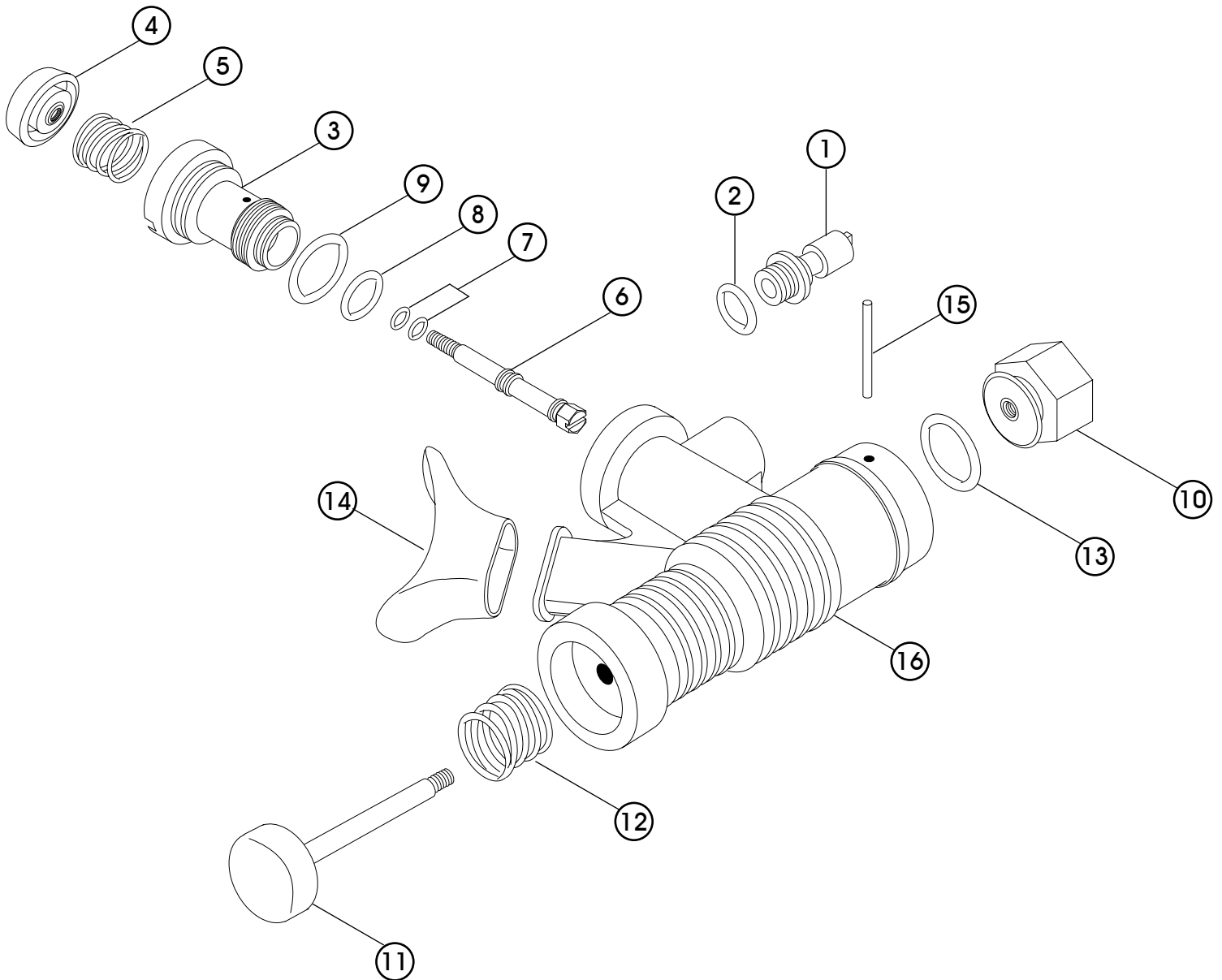


# Power inflator Assy for bio-lift, bio-control XD



#4 & #6, #10 & #11 are not separable each other.  
If should use new parts for both of them to exchange,  
use the locktight glue in assemble.

No.	Code	Description
1	3300103503	QUICK DISCONNECT FOR B.C. INFLATOR
2	3993592011	O-RING ARP-011/HS75
3	3300203602	VALVE HOUSING FOR B.C.
4	3300203002	INFLATOR BUTTON (GRAY)
5	3301200611	ORAL INFLATOR BUTTON SPRING
6	3300103502	VALVE CORE
7	3993592006	O-RING ARP-006/HS75
8	3993592012	O-RING ARP-012/HS75
9	3993593110	O-RING ARP-110/HS75
10	3300120701	NUT -ORAL

No.	Code	Description
11	3302080304	DEFLATOR BUTTON / SHAFT
12	3301200610	ORAL DEFLATOR BUTTON SPRING
13	3993092010	O-RING ARP-010/HS75
14	3303080061	MOUTHPIECE
15	3300120702	RETAINING DOWEL PIN S/S
16	3302080303	INFLATOR BODY
1-16	2300110301	POWER INFLATOR ASSY FOR BIO LIFT, XD