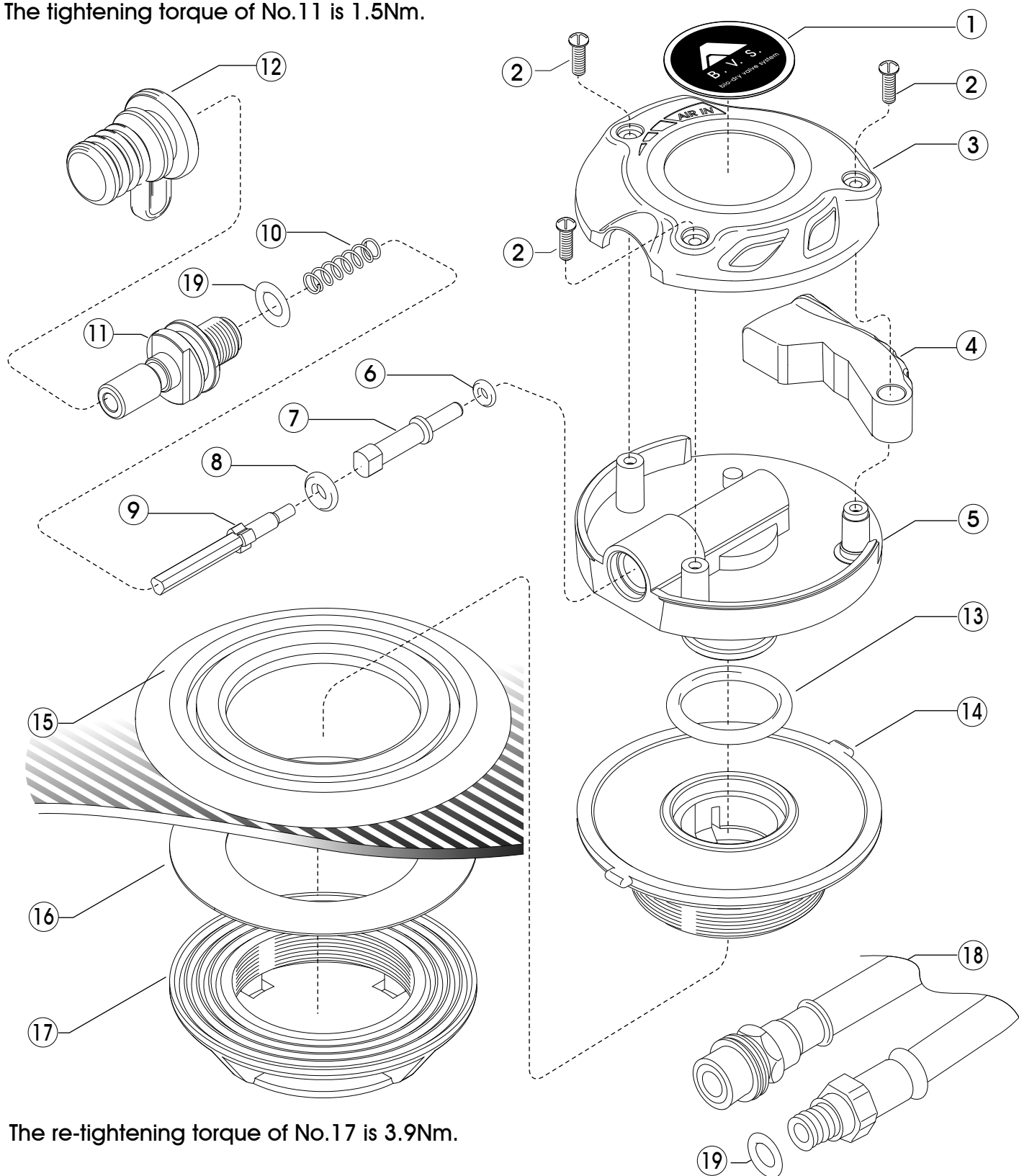


bio dry inlet valve

The tightening torque of No.11 is 1.5Nm.



The re-tightening torque of No.17 is 3.9Nm.

No.	Code	Description
	240000004	BVS INLET VALVE UNIT WITH NO DECAL
1	3404680003	DECAL FOR B.V.S. INLET/EX
2	3990100039	SCREW M2.6X8 TP SUS404
3	3402080153	TOP COVER FOR B.V.S.INLET/EX
4	3402080152	INLET LEVER FOR B.V.S. INLET
5	3402080151	INLET BODY FOR B.V.S. INLET
6	3993090003	O-RING NBR (P-3/HS50)
7	3402080154	ROD A FOR B.V.S.INLET
8	3993592104	O-RING ARP-104/HS75 NBR
9	3402080155	ROD B FOR B.V.S.INLET

No.	Code	Description
10	3401200055	SPRING FOR B.V.S. INLET
11	3400103004	COUPLER FOR B.V.S.INLET
12	3403080005	VALVE CAP FOR B.V.S.INLET
13	3993590116	O-RING ARP-116/HS50 NBR
14	3402080150	BASE COVER FOR B.V.S.INLET
15	3403080010	BVS VALVE GASKET
16	3402470000	DRY VALVE SLIP RING FOR B.V.S.INLET/EX
17	3402080100	RETAINER FOR B.V.S.INLET/EX
18	2400280182	L.P. HOSE FOR B.V.S.DRY SUIT
19	3993592011	O-RING ARP-011/HS75