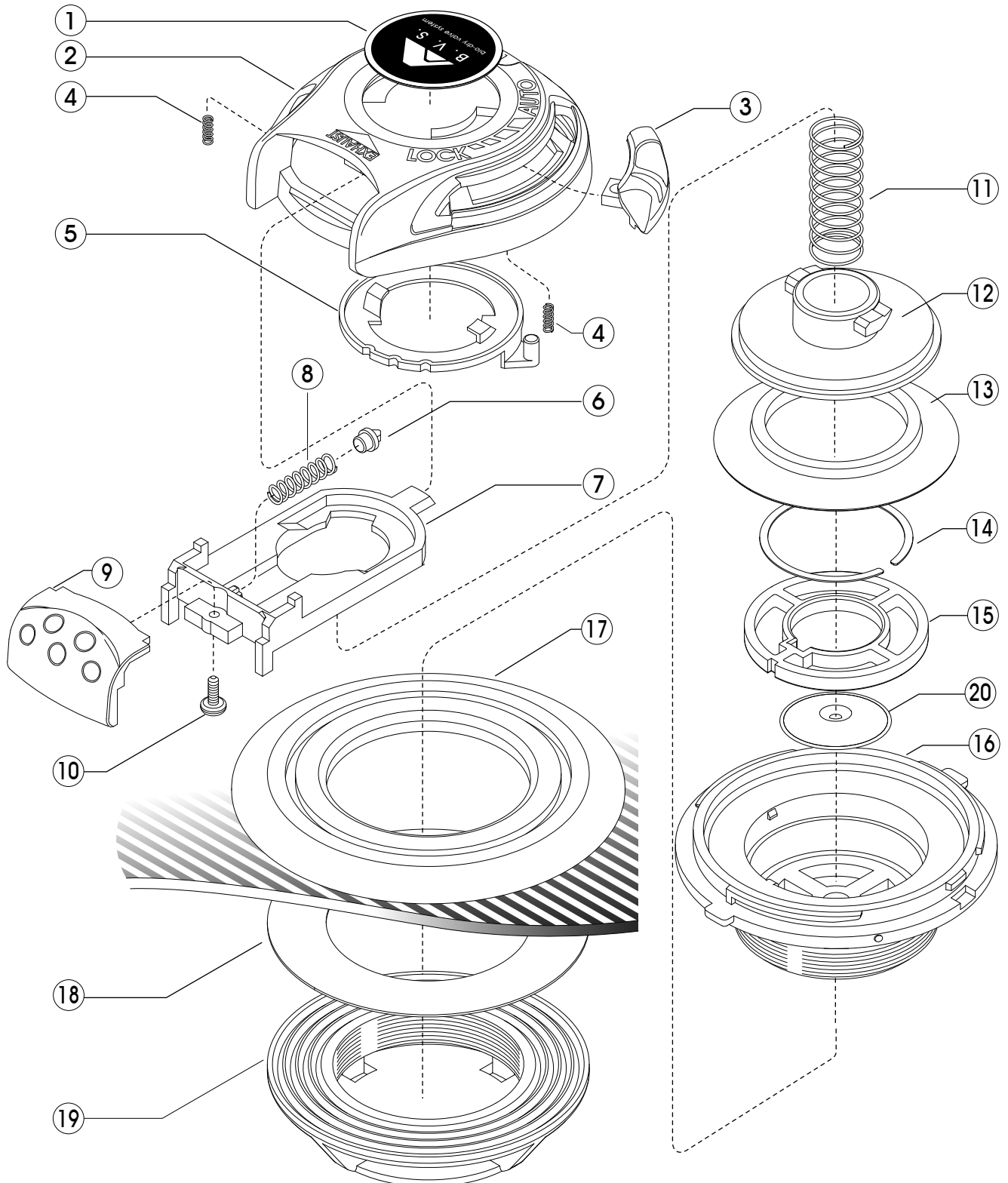


bio-dry exhaust valve



The re-tightening torque of No.17 is 3.9Nm.

No.	Code	Description
	2400000011	BVS EXHAUST VALVE UNIT WITH NO DECAL
1	3404680003	DECAL FOR B.V.S. INLET/EX
2	3402080107	TOP COVER FOR B.V.S.EX
3	3402080102	ADJUST LEVER FOR B.V.S.EX
4	3401200058	LOCK ASSIST SPRING FOR B.V.S.EX
5	3402080106	LOCK LEAF SPRING FOR B.V.S.EX
6	3402080105	ADJUST CLICKER FOR B.V.S.EX
7	3402080103	MANUAL BUTTON FRAME FOR B.V.S.EX
8	3401200056	MANUAL BUTTON SPRING FOR B.V.S.EX
9	3402080108	MANUAL BUTTON FOR B.V.S.EX
10	3990100075	SCREW

No.	Code	Description
11	3401200057	AUTO SPRING FOR B.V.S.EX
12	3402080104	VALVE SEAT FOR B.V.S.EX
13	3403070000	VALVE FOR B.V.S.EX
14	3401100006	VALVE HOLD FOR B.V.S.EX
15	3402080101	SPIDER FOR B.V.S.EX
16	3402080109	BASE COVER FOR B.V.S. EX
17	3403080010	BVS VALVE GASKET
18	3402470000	DRY VALVE SLIP RING FOR B.V.S.INLET/EX
19	3402080100	RETAINER FOR B.V.S.INLET/EX
20	3103055002	EXHAUST VALVE