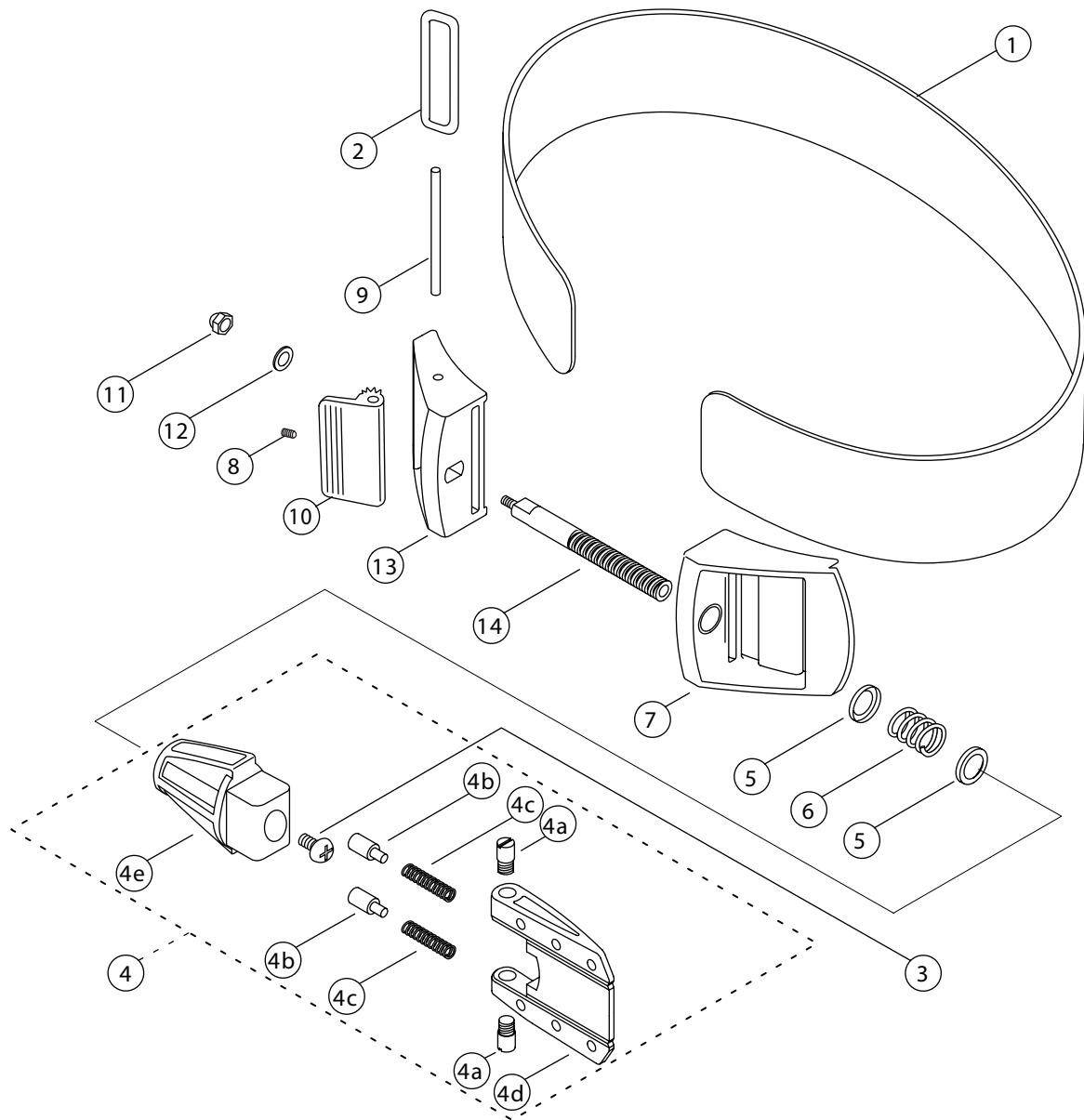


Bio-tank lock² (Yr 2007+)



Tech Tip (all bio-tank lock): Rinse regularly with fresh water to avoid salt build-up. If build-up has occurred and hinders movement of buckles or spring on shaft, a light scrub of spring (no. 6) and shaft (no.14) with toothbrush during rinse will improve performance. Remember that spring is designed to expand and contract during dive. Always leave about a pinkie worth of space between the metal buckles, 3/8-1/2", to be precise. Too little space and buckles will be forced together at depth. Recurring stress can damage the buckles. If any part of screw head (no. 3) is raised above body (no. 4e), you have overtightened. Reverse until screw head descends. Over time your nylon webbing strap can stretch. If you alternate tank sizes (circumference), or feel buckle isn't fitting as snugly as it used to, you need to tighten strap rather than buckle. Lift locking lever (no. 10), pull strap (no. 1) through as needed and press lever (no. 10) down to lock strap in place.

No.	Code	Description	No.	Code	Description
1	3384180000	NYLON BELT W50MM / L900MM	6	3101200062	ADJUST SPRING FOR L.P. : A-101,2,5,7,8,10,20
2	3381200010	BELT KEEPER	7	3381300001	BUC KLE B
3	3990100114	SC REW SUS304 M5x8	8	3990100055	SC REW
4	2382200000	KNOB ASSY	9	3380100009	LEVER SHAFT
4a	3380504000	LEVER AXIS C 3604B	10	3313000000	LOC KING LEVER
4b	3380904000	PLUNGER SHAFT C 3604B	11	3990100752	HEXAGON C AP NUT M6 SUS304
4c	3381200005	PLUNGER SPRING C 3604B	12	3990500004	WASHER M6 SUS304
4d	3382000009	LEVER KNOB PON GF25	13	3381300010	BUC KLE A WITH HOLE
4e	3382000010	KNOB BODY PON GF25	14	3380500000	SPINDLE SHAFT SUS304
5	3382000005	SPRING GUIDE POM BK			