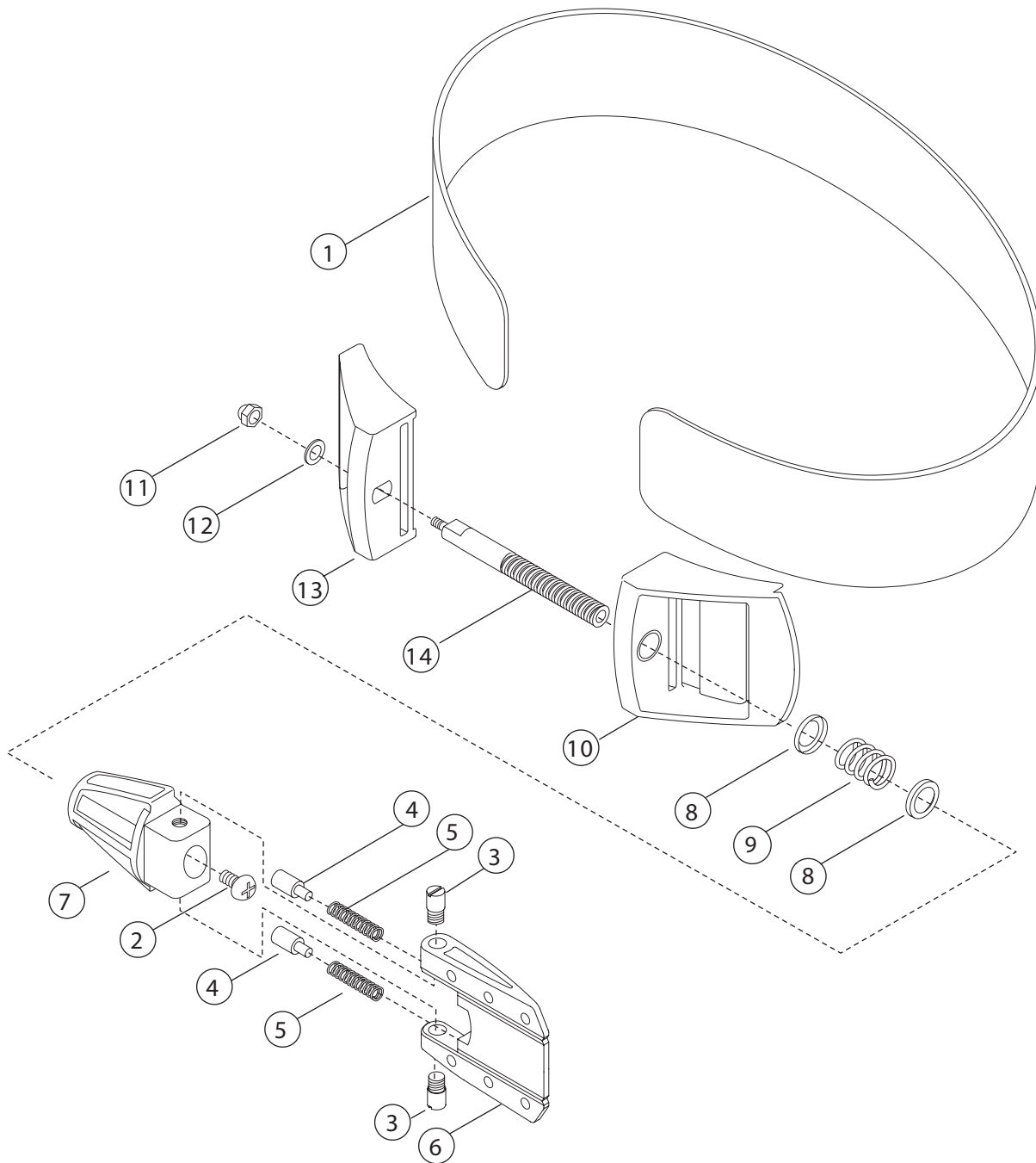


Bio-tank lock (V.01 Yr 2003-2007)



Tech Tip (all bio-tank lock): Rinse regularly with fresh water to avoid salt build-up. If build-up has occurred and hinders movement of buckles or spring on shaft, a light scrub of spring (no. 9) and shaft (no. 14) with toothbrush during rinse will improve performance. Remember that spring is designed to expand and contract throughout dive. Always leave about a pinkie worth of space between the metal buckles, 3/8-1/2", to be precise. Too little space and the buckles will be forced together at depth. Recurring stress can damage the buckles. If any part of screw head (no. 2) is raised above body (no. 7), you have overtightened. Reverse until screw head descends. Over time your nylon webbing buckle can stretch. If you alternate tank sizes (circumference), or feel buckle isn't fitting as snugly as it used to, you may need to tighten strap rather than buckle. Pull strap (no. 1) through Buckle A (no. 13) as needed to tighten strap.

No.	Code	Description	No.	Code	Description
1	3384180000	NYLON BELT W50MM / L900MM BK	8	3382000005	SPRING GUIDE POM BK
2	3990100114	SCREW M5X8 SUS304	9	3101200062	ADJUST SPRING FOR L.P.FOR REGULAT
3	3380504000	LEVER AXIS C3604B	10	3381300001	BUCKLE B FOR TANK LOCK
4	3380904000	PLUNGER SHAFT C3604B	11	3990100752	HEXAGON CAP NUT M6 SUS304
5	3381200005	PLUNGER SPRING C3604B	12	3990500004	WASHER M6 SUS304
6	3382000009	LEVER KNOB PON GF25	13	3381300000	BUCKLE A
7	3382000010	KNOB BODY PON GF25	14	3380500000	SPINDLE SHAFT SUS304
3~7	2382200000	KNOB ASSY FOR TANK LOCK			