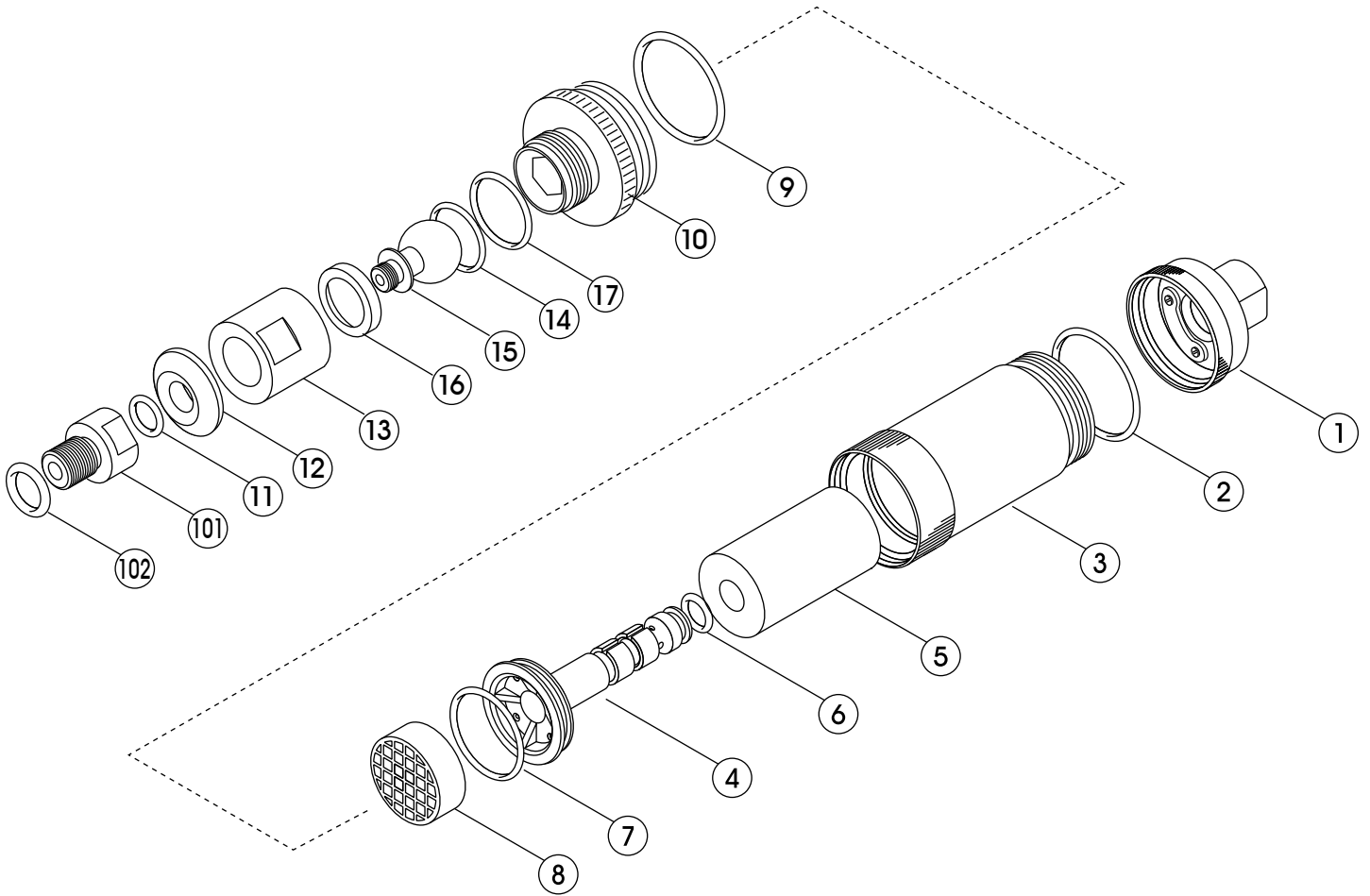


bio-filter after '04



※ Parts #101 to #102 are only used in 1/2 port units.

No.	Code	Description
1	2120200100	CAP WITH WATER FILLING PORT S.GD 3/8
	2120200110	CAP WITH WATER FILLING PORT S.GD 1/2
2	3993592023	O-RING ARP-023
3	3120200012	HUMIDIFIER TUBE FOR B/F :TEXTURED ALMINUM
4	3102080069	MOISTURIZER TUBE FOR BIO-FILTER
5	1120200006	3 PCS OF MOISTURIZING PAD 47MM FOR BIO-FILTER
6	3993092004	O-RING P-7 FOR REGULATOR
7	3993592020	O-RING ARP-020
8	1122000005	MESH CHARCOAL FILTER CL FOR B/F, B/M & A-107,110,210,230
9	3993592023	O-RING ARP-023
10	3120200026	CONNECTOR TUBE

No.	Code	Description
11	3993592011	O-RING ARP-011/HS75
12	3123080002	DAMPER : HS75 FOR BF
13	3120200016	COVER : MBCR-3 C3601B FOR B.F
14	3993392513	O-RING S-16/HS75 FOR REGULATOR
15	3120200015	BALL : MBCR-3 C6783B FOR B.F
16	3120200042	BALL RECEIVER FOR B/F (WT)
17	3993393518	O-RING S-18/HS75 FOR REGULATOR
101	1129800013	ADAPTER M1/2 F3/8 FOR BIO-MICRO
102	3993592013	O-RING ARP-013/HS75