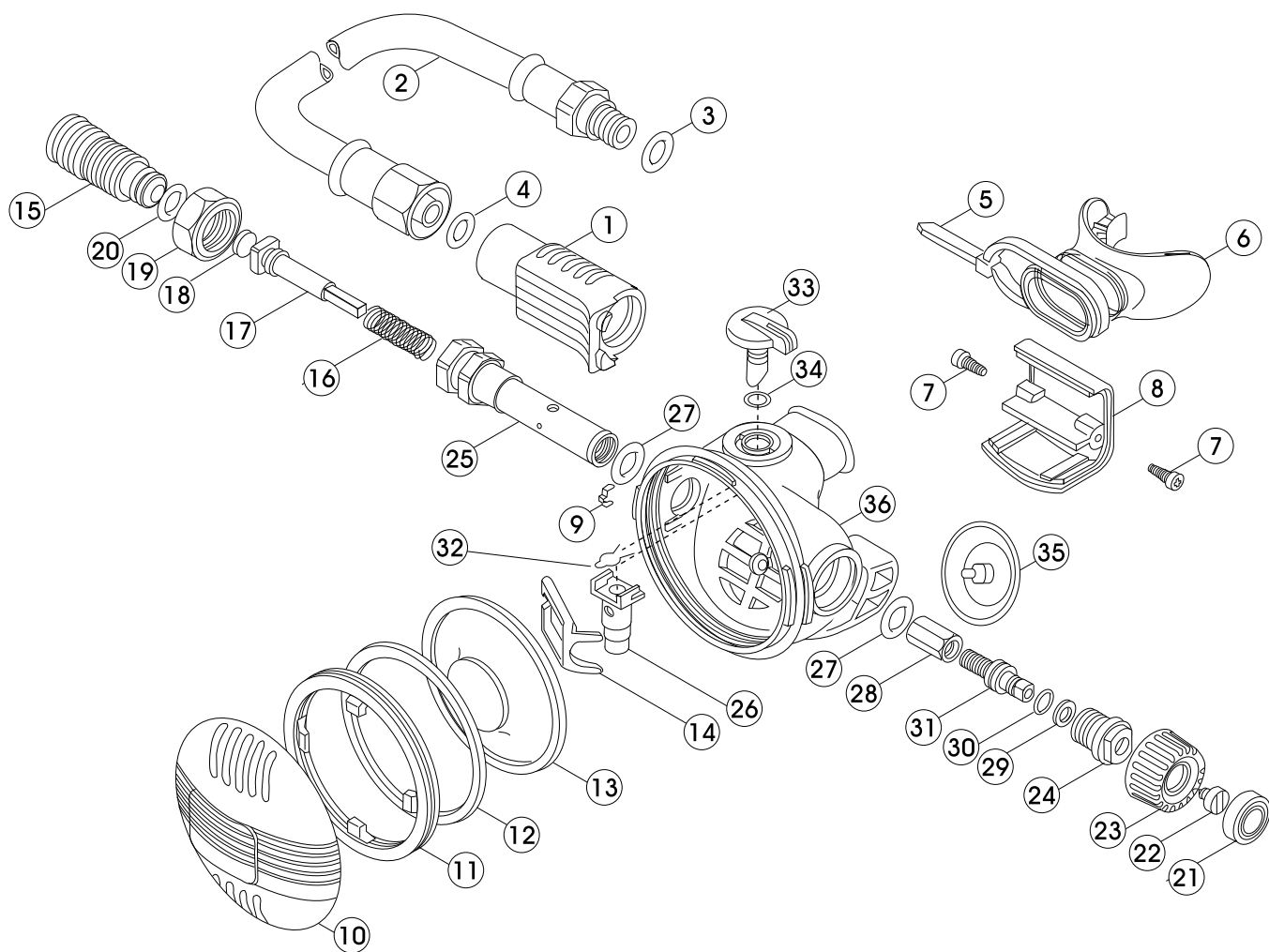


2nd stage prestige standard



No.	Code	Description	No.	Code	Description
1	3102080113	HOSE PROTECTOR	19	3100103025	LOCK NUT
2	3113983090	L.P. HOSE FOR OCT (BK) 90CM	20	3993592011	O-RING ARP-011/HS75
	3113983090	L.P. HOSE FOR OCT (BK) 90CM	21	3102080209	KNOB CAP (BK)
3	3993592011	O-RING ARP-011/HS75	22	3990100155	TRUSS SCREW (M3.5)
4	3993592010	O-RING ARP-010/HS75	23	3102080108	ADJUSTING KNOB
5	3992970100	NYLON CLAMP (WT)	24	3100103078	BONNET FOR REGULATOR
6	3103080037	MOUTHPIECE PRESTIGE (BK)	25	3100103100	DEMAND VALVE HOUSING
7	3990100308	SCREW SUS M3X8	26	3102080111	AIR FLOW TUBE
8	3102080107	EXHAUST COVER	27	3993592015	O-RING ARP-015/HS75
9	3101180000	TOP COVER LOCK PRESTIGE	28	3100103076	ADJUST NUT FOR REGULATOR
10		TOP COVER ASSY, PRESTIGE	29	3102400002	TEFLON WASHER FOR SS 2ND STAGE
11	3102080112	TSNAP RING ABS BK	30	3993392505	O-RING S-8/HS75 FOR B.C.
12	3102470003	COVER RING	31	3100103077	ADJUST SHAFT
13	2100070000	DIAPHRAGM : WT SILICON FOR BIO	32	3990900002	CLIP
14	3101100083	DEMAND LEVER 2ND	33	3102080110	AIR FLOW ADJUSTER
15	3100103089	VALVE CONE FOR PRESTIGE STANDARD	34	3993390504	O-RING S-4
16	3101200011	CARRIER SPRING	35	3103070014	EXHAUST VALVE
17	3100103024	SEAT CARRIER FOR REGULATOR	36	3102080101	BOTTOM BOX, PRESTIGE
18	3103080013	2ND STAGE VALVE SEAT		3101200054	PURGE BUTTON SPRING
				3102080104	PURGE BOTTON FOR PRESTIGE