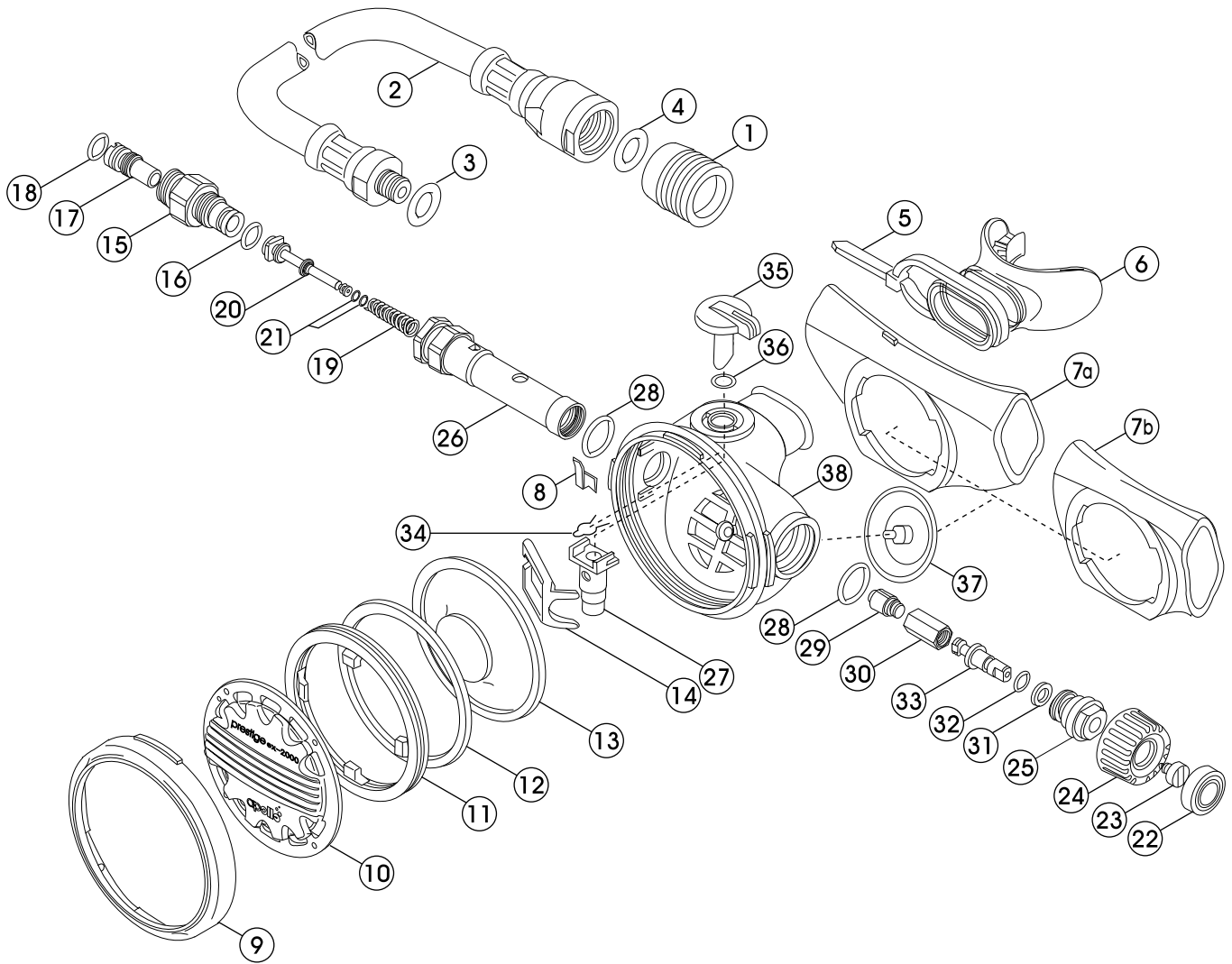


# 2nd stage ex-2000



No.	Code	Description
1	3103080050	RUBBER PROTECTOR FOR REGULATOR (BIO&EX)
2	2185004073	L.P. HOSE WITH BALLJOINT FOR REGULATOR 70CM
	2185004092	L.P. HOSE WITH BALL JOINT FOR OCT (BK) 90CM
3	3993592011	O-RING ARP-011/HS75
4	3993592013	O-RING ARP-013/HS75
5	3992970100	NYLON CLAMP (WT)
6	3103080037	MOUTHPIECE PRESTIGE (BK)
7	2102081004	EXHAUST TEE FOR REGULATOR BIO, PRESTIGE
	2102081006	EXHAUST TEE FOR OCTOPUS BIO, PRESTIGE
8	3101180002	TOP COVER LOCK SPRING ED2R13 SUS304SP
9	3102036000	TOP COVER HOLDER
10	3102080150	TOP COVER
11	3102080112	SNAP RING ABS BK
12	3102470003	COVER RING
13	2100070000	DIAPHRAGM : WT SILICON FOR BIO
14	3101100084	DEMAND LEVER : FOR PRESTIGE 2ND
15	3100103102	VALVE CONE HOLDER B
16	3993592011	O-RING ARP-011/HS75
17	3100103101	VALVE CONE B
18	3993392504	O-RING S-7/HS75

No.	Code	Description
19	3101200017	CARRIER SPRING B PRESTIGE BALANCE
20	2100100014	VALVE SEAT/CARRIER ASSY - PRESTIGE
21	3993970001	O-RING/VALVE SEAT CARRIER B PRESTIGE-B
22	3102080109	KNOB CAP (BK)
23	3990100155	TRUSS SCREW (M3.5)
24	3102080108	ADJUSTING KNOB
25	3100103104	BONNET B PRESTIGE BALANCE
26	3100103103	VALVE HOUSING B PRESTIGE BALANCE
27	3102080111	AIR FLOW TUBE
28	3993592015	O-RING ARP-015/HS75
29	3102080120	CYLINDER B PRESTIGE BALANCE
30	3100103106	NUT B PRESTIGE BALANCE
31	3102400002	TEFLON WASHER FOR SS 2ND STAGE
32	3993390504	O-RING S-4
33	3100103105	SHAFT B PRESTIGE BALANCE
34	3990900002	CLIP
35	3102080110	AIR FLOW ADJUSTER
36	3993390504	O-RING S-4
37	3103070014	EXHAUST VALVE
38	3102080300	BOTTOM CASE : FOR PRESTIGE 2ND