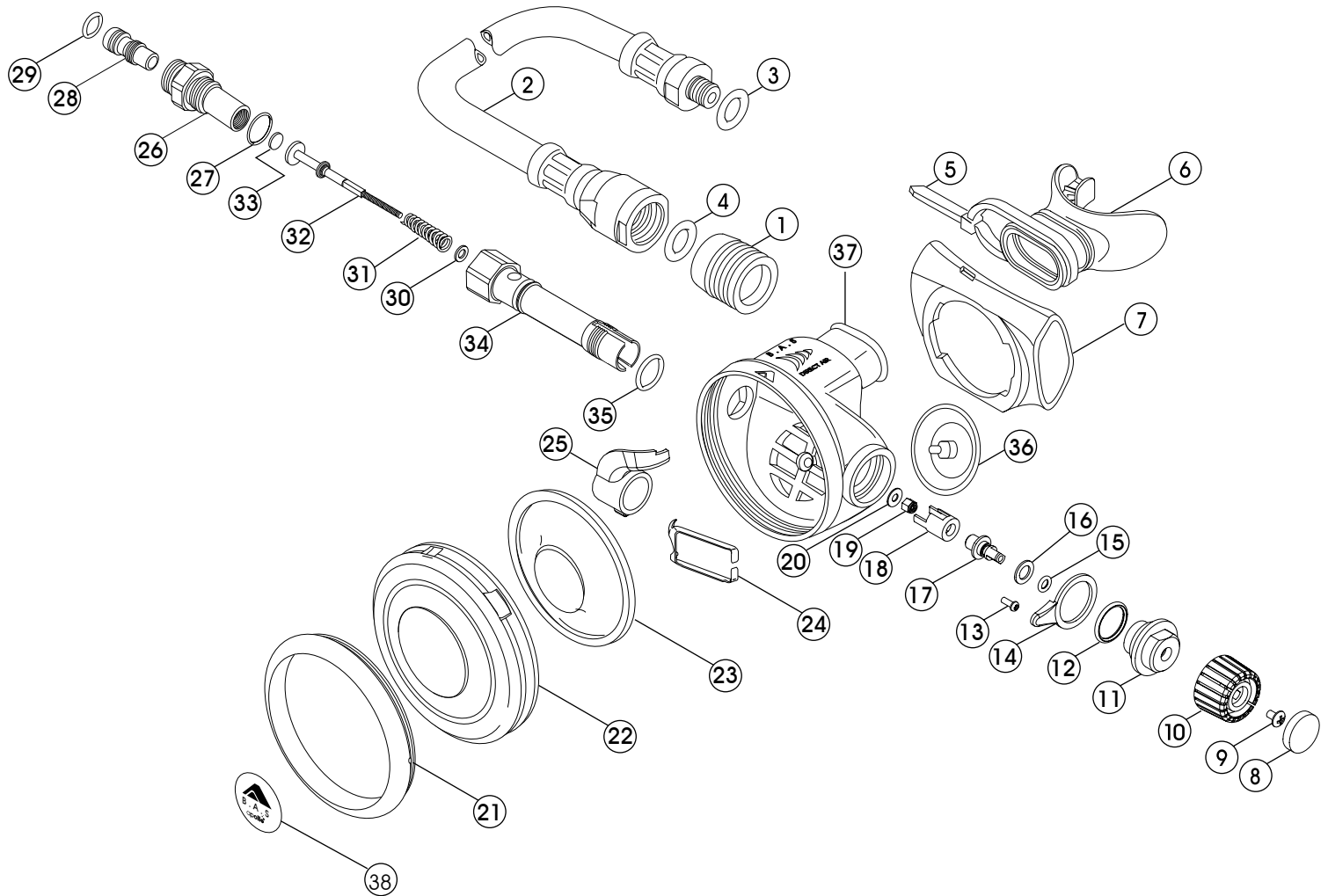


# 2nd stage bio after '10 / bio-octopus



No.	Code	Description	No.	Code	Description
1	3103080050	RUBBER PROTECTOR FOR REGULATOR (BIO&EX)	21	3100100106	TOP COVER RING FOR BIO : WT ALMINUM
2	2185004073	L.P. HOSE WITH BALLJOINT FOR REGULATOR 70CM	3100100123	TOP COVER RING FOR BIO : BK ALMINUM	
	2185004062	L.P. HOSE WITH BALLJOINT FOR REGULATOR 60CM	22	3102055010	TOP COVER : BIO TYPE-2 SV
	2185001093	L.P. HOSE WITH BALLJOINT FOR OCTOPUS 90CM BK	3102080407	TOP COVER : BIO TYPE-2 BK	
	2185006091	L.P. HOSE WITH BALLJOINT FOR OCTOPUS 90CM YL	3102080409	TOP COVER D: FOR OCTOPUS	
3	3993592011	O-RING ARP-01 1/HS75	23	2100070000	DIAPHRAGM : WT SILICON FOR BIO
4	3993592013	O-RING ARP-01 3/HS75	2100080002	DIAPHRAGM : BK SILICON FOR BIO	
5	3992980100	NYLON CLAMP RING	24	3101100087	DEMAND LEVER : WATER REPELLENT FOR BIO
6	3103080037	MOUTHPIECE PRESTIGE (BK)	25	3102080600	AIR GUIDE
7	2102081006	EXHAUST TEE FOR OCTOPUS BIO, PRESTIGE	26	3100100101	VALVE CONE HOLDER : FOR BIO
8	3102080109	KNOB CAP (BK)	27	3993592014	O-RING ARP-01 4/HS75
9	3990100401	SCREW (M3X5 BS)	28	3100100104	VALVE CONE POM : 2ND WT FOR BIO
10	3102080108	ADJUSTING KNOB	29	3993592010	O-RING ARP-010/HS75
11	3100103121	BONNET TYPE 3 BS NI-CR	30	3100102060	CYLINDER WASHER
12	3993592015	O-RING ARP-015/HS75	31	3101200063	STANDARD CARRIER SPRING FOR BIO
13	3990100231	PAN HEAD TAPPING SCREW (M2.3X6 SUS)	32	3100100112	VALVE SEAT CARRIER : WATER REPELLANT
14	3102080601	TOP COVER LOCK : FOR BIO	33	3103080013	2ND STAGE VALVE SEAT
15	3993390504	O-RING S-4	34	3100100501	VALVE HOUSING TYPE 3
16	3102400002	TEFLON WASHER FOR SS 2ND STAGE	35	3993592015	O-RING ARP-015/HS75
17	3100102063	ADJUST SHAFT TYPE 3	36	3103070014	EXHAUST VALVE
18	3100102061	CYLINDER NUT TYPE 3	37	3102080500	BOTTOM CASE: BK FOR BIO
19	3990100120	NYLON NUT : M3 SUS304 FOR BIO	38	3104600080	BIO MARKED STICKER FOR TOP COVER (SV)
20	3990100062	WASHER M3 SUS304 3.3,"8,"0.5	3104681001	BIO MARKED STICKER FOR TOP COVER (BK)	