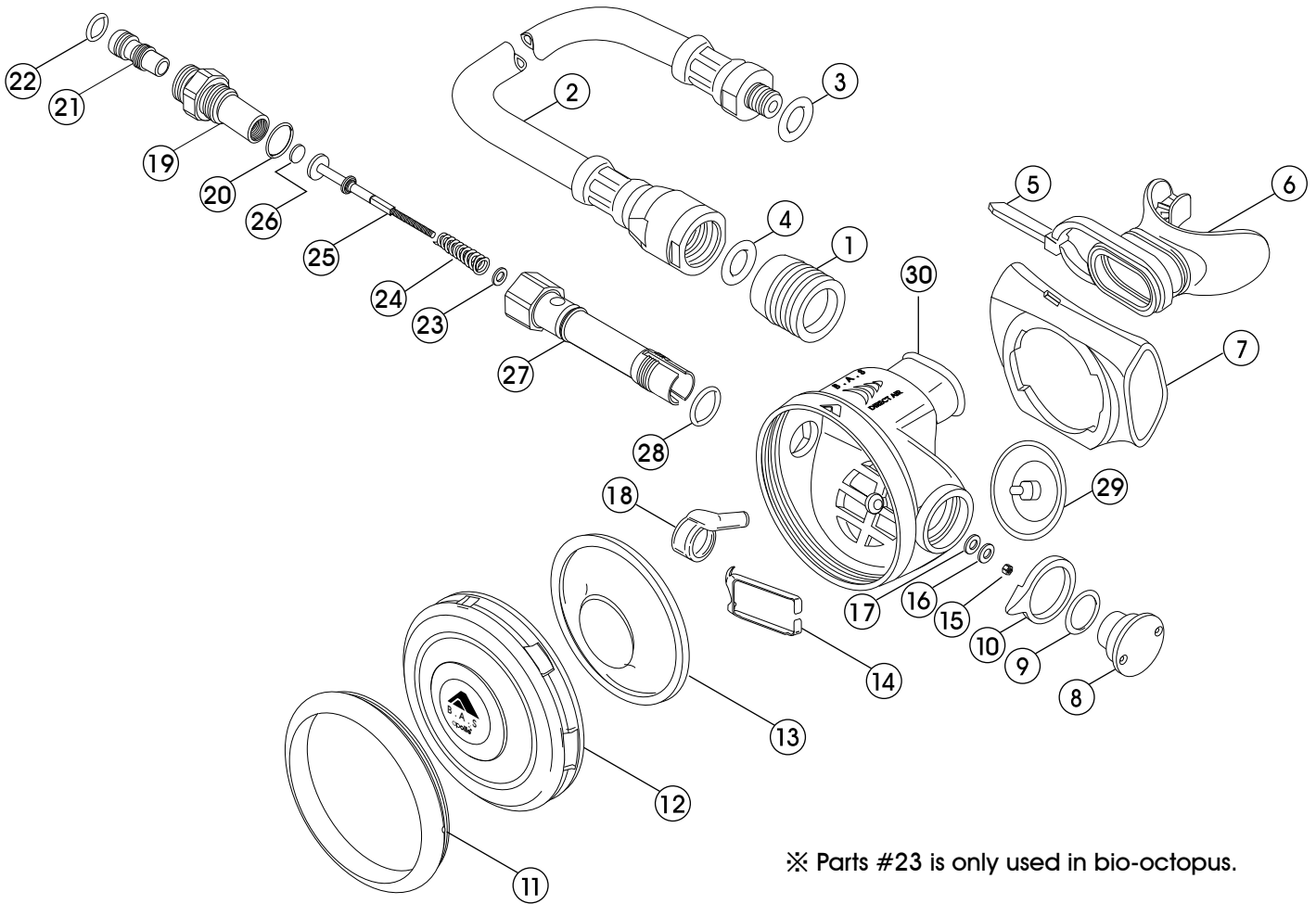


2nd stage bio after '07



※ Parts #23 is only used in bio-octopus.

No.	Code	Description	No.	Code	Description
1	3103080050	RUBBER PROTECTOR FOR REGULATOR (BIO&EX)	13	2100070000	DIAPHRAGM : WT SILICON FOR BIO
2	2185004073	L.P. HOSE WITH BALLJOINT FOR REGULATOR 70CM	2100080002	DIAPHRAGM : BK SILICON FOR BIO	
	2185006090	L.P. HOSE WITH BALLJOINT FOR OCT (YL) 90CM	14	3101100087	DEMAND LEVER : WATER REPELLANT FOR BIO
	2185004062	L.P. HOSE WITH BALLJOINT FOR REGULATOR 60CM	15	3990100120	NYLON NUT : M3 SUS304 FOR BIO
	2185004092	L.P. HOSE WITH BALL JOINT FOR OCT (BK) 90CM	16	3990100062	WASHER M3 SUS304 3.3, 8, 0.5
3	3993592011	O-RING ARP-011/HS75	17	3990500009	WASHER M4 SUS304 4X9X0.8
4	3993592013	O-RING ARP-013/HS75	18	3103170001	B.A.S TUBE : SILICON HS70 FOR BIO
5	3992980100	NYLON CLAMP RING	19	3100100101	VALVE CONE HOLDER : FOR BIO
6	3103080037	MOUTHPIECE PRESTIGE (BK)	20	3993592014	O-RING ARP-014/HS75
7	2102081006	EXHAUST TEE FOR OCTOPUS BIO, PRESTIGE	21	3100100104	VALVE CONE POM : 2ND WT FOR BIO
8	3102080408	BONNET AL:POM FOR BIO REGULATOR	22	3993592010	O-RING ARP-010/HS75
9	3993592015	O-RING ARP-015/HS75	23	3990500009	WASHER M4 SUS304 4X9X0.8
10	3102080402	TOP COVER LOCK : FOR BIO	24	3101200063	STANDARD CARRIER SPRING FOR BIO
11	3100100106	TOP COVER RING FOR BIO : WT ALMINUM	25	3100100112	VALVE SEAT CARRIER : WATER REPELLANT
	3100100123	TOP COVER RING FOR BIO : BK ALMINUM	26	3103080013	2ND STAGE VALVE SEAT
	3100100122	TOP COVER RING FOR BIO : YL ALMINUM	27	3100100110	VALVE HOUSING : WATER REPELLANT
12	3102055010	TOP COVER : BIO TYPE-2 SV	28	3993592015	O-RING ARP-015/HS75
	3102080407	TOP COVER : BIO TYPE-2 BK	29	3103070014	EXHAUST VALVE
	3102035021	TOP COVER : BIO TYPE-2 YL	30	3102080406	BOTTOM CASE: BK FOR BIO