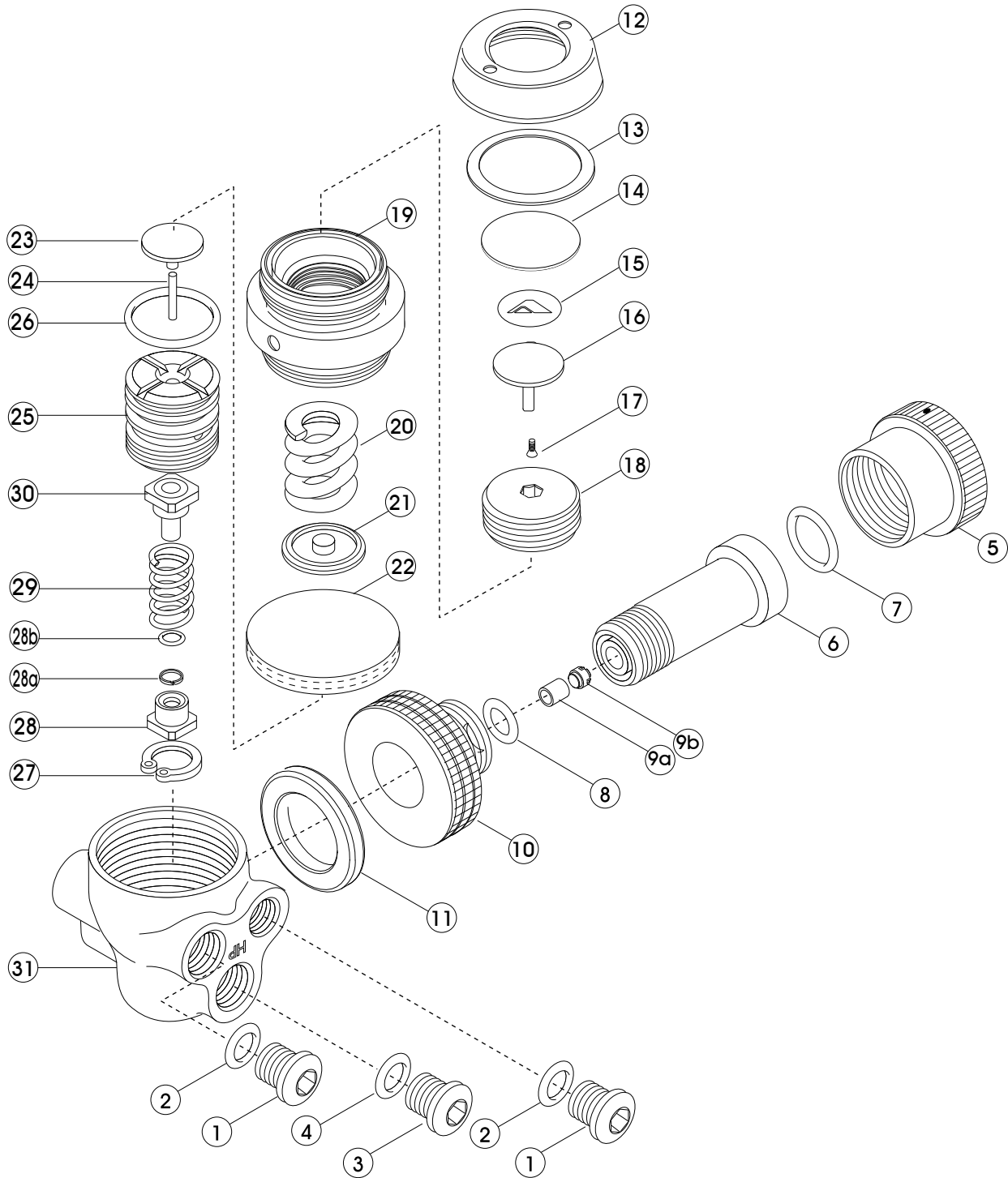


1st stage a-320 Nrx DIN 5/8



No.	Code	Description
1	3100101101	PLUG (A) : 3/8 FOR L.P.
2	3993592011	O-RING ARP-011/HS75 ID/7.65
3	3100101102	PLUG (C) : 7/16 FOR H.P.
4	3993898012	O-RING ARP-012/HS90 ID/9.25 VITON
5	3102400004	DUST CAP WITH NO STRING
6	3100201061	INLET ADAPTOR
7	3993898112	O-RING ARP-112/HS90 ID/12.37 VITON
8	3993898011	O-RING ARP-011/HS90 ID/7.65 VITON
9a	3990800413	FILTER
9b	3102400003	FILTER BASE
10	3100201060	DIN HANDLE 2
5~10	2120300000	DIN ADAPTER ASSY
11	3102480000	YOKE SPACER : A-108/320
12	3100101201	OUTER DIAPHRAGM HOLDER
13	3102480001	DIAPHRAGM WASHER PET
14	3102400021	OUTER DIAPHRAGM
15	3104681000	BIO MARKED STICKER FOR PISTON
16	3100101108	PISTON : FOR A-108/110/320

No.	Code	Description
17	3990100063	SCREW SUS M2X6
18	3100101110	ADJUST SCREW : FOR A-108/110/320
19	3100101109	LOCK NUT : FOR A-108
20	3101200062	ADJUST SPRING FOR L.P.:FOR REGULATOR
21	3100101111	SPRING PAD : FOR A-101,2,5,7,8,10,320
22	3103980105	HIGH PRESSURE DIAPHRAGM
23	3100101105	PUSH ROD PAD : FOR A-101,2,5,7,8,10
24	3990100072	PUSH ROD PIN : A-101,2,5,7,8,10
25	3100101115	H.P. MODULE WITH GUIDE SPEC FOR REGULATOR
26	3993898017	O-RING ARP-017/HS90 ID/17.17 VITON
27	3990500101	RETAINING RING
28	2100100050	BALANCE CHAMBER WITH O-RING: A-101,2,5,7,8,10,20
28a	3102070000	BACKUP RING: A-101,2,5,7,8,10,320
28b	3993898006	O-RING ARP-006/HS90 ID/2.90 VITON
29	3101200071	HIGH PRESSURE SPRING : A-101,2,5,7,8,10,320
30	3100103210	PTMEG 2000 HIGH PRESSURE SEAT
31	3101300030	BODY : A-320 3/8x4,7/16x2