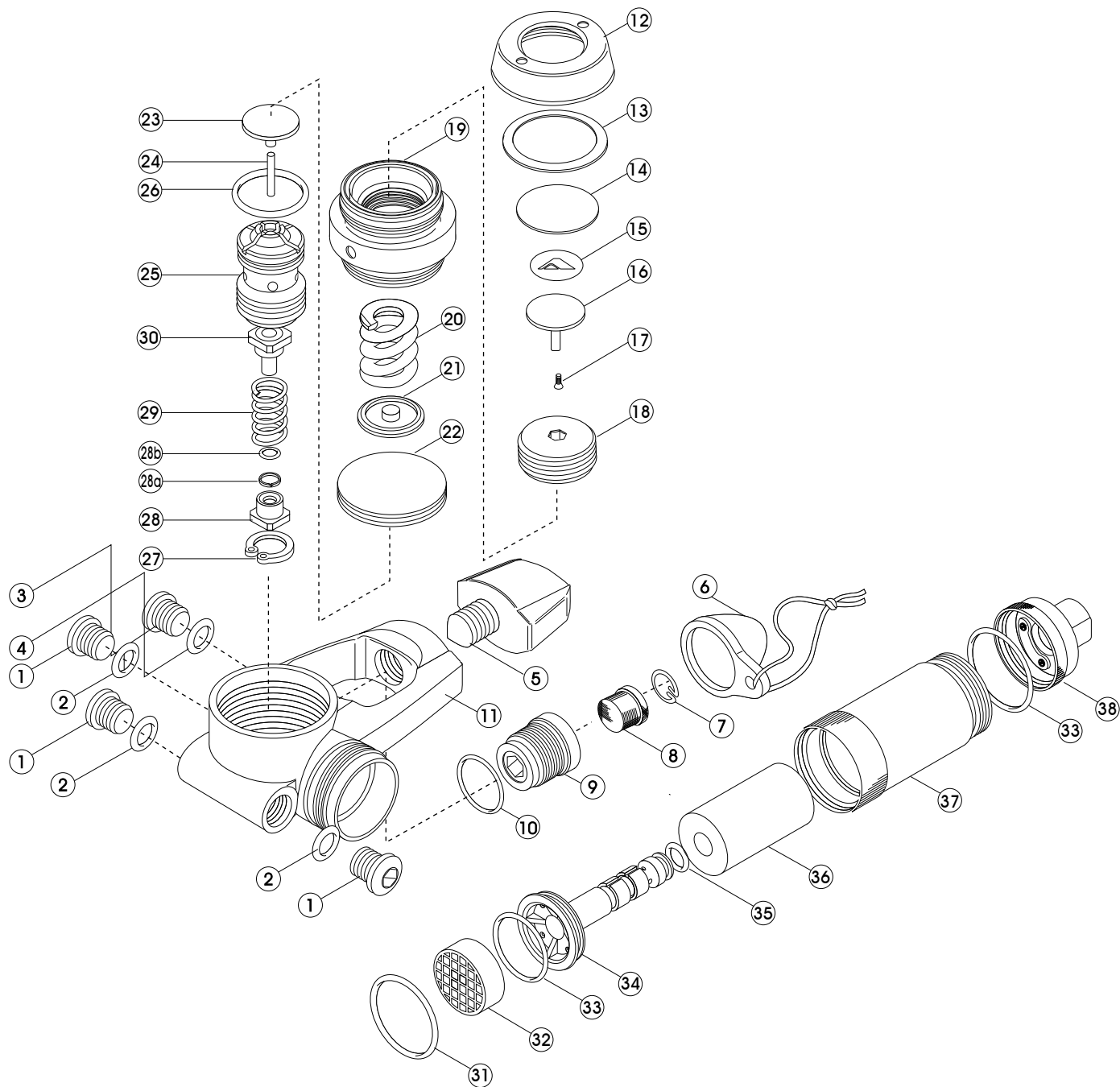


1st stage a-110



No.	Code	Description
1	3100101101	PLUG (A) : 3/8 FOR L.P.
2	3993592011	O-RING ARP-011/HS75
3	3100101102	PLUG (C) : 7/16 FOR H.P.
4	3993898012	O-RING ARP-012/HS90 ID9.25 VITON
5	2122080000	YOKE SCREW
6	1184380003	DUST CAP ASSY
7	3101200064	FILTER RETAINER FOR A-102,108,110,120
8	3990800412	FILTER 150 MICRON BUCKET TYPE
9	3120100006	VALVE PORT FOR A-110,120
10	3993898015	O-RING ARP-015/HS90 ID14.00 VITON
11	3121300002	BODY A-110 D.GY
	3120270004	BODY A-110 W.SV
12	3120100004	OUTER DIAPHRAGM HOLDER A-110,120 D.GY
	3120270001	OUTER DIAPHRAGM HOLDER A-110,120 W.SV
13	3102480001	DIAPHRAGM WASHER PET
14	3102400021	OUTER DIAPHRAGM
15	3104681000	BIO MARKED STICKER FOR PISTON
16	3100101108	PISTON : FOR A-108/110/320
17	3990100063	SCREW SUS M2X6
18	3100101110	ADJUST SCREW : FOR A-108/110/320
19	3120280001	LOCK NUT FOR A-110,120 (D.GY)
	3120100005	LOCK NUT FOR A-110,120 (W.SV)
20	3101200062	ADJUST SPRING FOR L.P.FOR REGULATOR
21	3100101111	SPRING PAD : FOR A-101,2,5,7,8,10,320

No.	Code	Description
22	3103980105	HIGH PRESSURE DIAPHRAGM
23	3100101105	PUSH ROD PAD : FOR A-101,2,5,7,8,10
24	3990100072	PUSH ROD PIN : A-101,2,5,7,8,10
25	3100101115	H.P. MODULE WITH GUIDE SPEC FOR REGULATOR
26	3993898017	O-RING ARP-017/HS90 ID17.17 VITON
27	3990500101	RETAINING RING
28	2100100050	BALANCE CHAMBER WITH O-RING: A-101,2,5,7,8,10,20
28a	3102070000	BACKUP RING: A-101,2,5,7,8,10,320
28b	3993898006	O-RING ARP-006/HS90 ID2.90 VITON
29	3101200071	HIGH PRESSURE SPRING : A-101,2,5,7,8,10,320
30	3100103210	PTMEG 2000 HIGH PRESSURE SEAT
31	3993592023	O-RING ARP-023
32	1122000005	MESH CHARCOAL FILTER CL FOR B/F, B/M & A-107,110,210,230
33	3993592020	O-RING ARP-020
34	3102080069	MOISTURIZER TUBE FOR BIO-FILTER
35	3993092004	O-RING P-7 FOR REGULATOR
36	1120200005	MOISTURIZING PAD 47MM FOR BIO-FILTER
37	3120200033	HUMIDIFIER TUBE FOR A-110 D.GY
	3120270003	HUMIDIFIER TUBE FOR A-110 W.SV
38	2120280100	MOISTURE CAP WITH FILLING PORT 3/8 D.GY
	2120270100	MOISTURE CAP WITH FILLING PORT 3/8 W.SV
38a	3122000101	ONE-WAY VALVE
38b	3120010001	SCREW FOR ONE-WAY VALVE BS