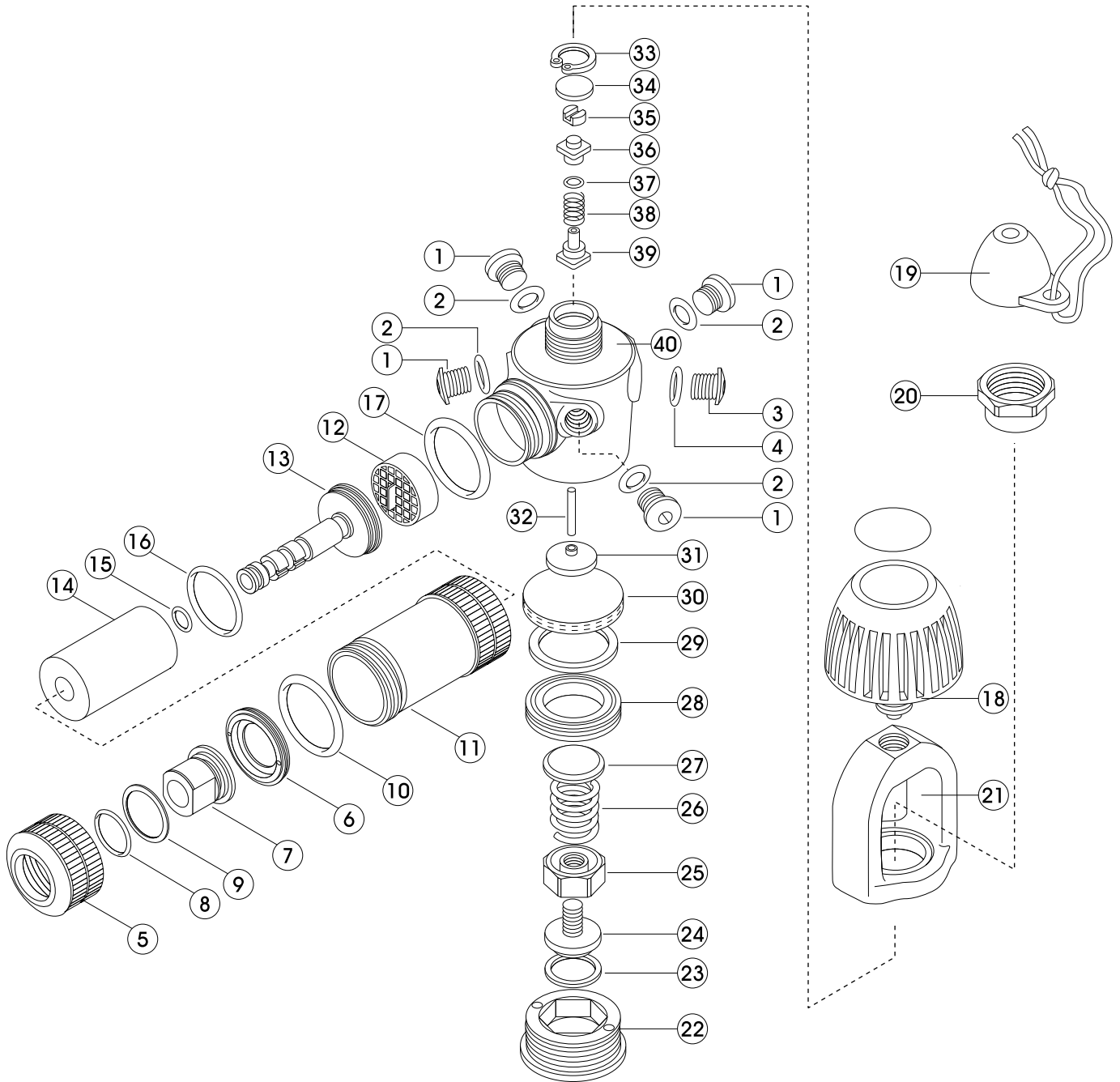


1st stage a-107



No.	Code	Description
1	3100101101	PLUG (A) : 3/8 FOR L.P.
2	3993592011	O-RING ARP-011/HS75
3	3100101903	PORT PLUG, 7/16 FOR H.P. PORT
4	3993898012	O-RING ARP-012/HS90 ID9.25 VITON
5	3100201058	MOISTURIZER CAP A-107
6	3100201056	HOSE SWIVEL STOPPER
7	3100201057	HOSE SWIVEL
8	3993592015	O-RING ARP-015/HS75
9	3102470306	TEFLON WASHER/SWIVEL
10	3993592023	O-RING ARP-023
11	3100201055	MOISTURIZER HOUSING A-107
12	1122000001	MESH CHARCOAL FILTER CL FOR B/F, B/M & A-107,110,210,230
13	3102080069	MOISTURIZER TUBE FOR BIO-FILTER
14	1120200005	MOISTURIZING PAD 47MM FOR BIO-FILTER
15	3993092004	O-RING P-7 FOR REGULATOR
16	3993592020	O-RING ARP-020
17	3993592023	O-RING ARP-023
18	2102080158	YOKE SCREW W/DECAL
19	1184380003	DUST CAP ASSY
20	3100203045	YOKE RETAINER : A-101,105
21	3101001032	YOKE FOR PRESTIGE (L)

No.	Code	Description
22	3100201044	BODY CAP 102
23	3102470303	TEFLON WASHER FOR REGULATOR
24	3100201043	ADJUSTING SCREW FOR REGULATOR
25	3100203047	GUIDE NUT FOR REGULATOR
26	3101200062	ADJUST SPRING FOR L.P:FOR REGULATOR
27	3100101111	SPRING PAD : FOR A-101,2,5,7,8,10,320
28	3100203046	DIAPHRAGM RETAINER FOR REGULATOR
29	3102480001	DIAPHRAGM WASHER PET
30	3103980105	HIGH PRESSURE DIAPHRAGM
31	3100101105	PUSH ROD PAD : FOR A-101,2,5,7,8,10
32	3990100072	PUSH ROD PIN : A-101,2,5,7,8,10
33	3990500101	RETAINING RING
34	3990800411	FILTER 150 MICRON :SUS316 D/12.6 T/1.66
35	3100103073	CHAMBER SPACER
36	2100100050	BALANCE CHAMBER WITH O-RING: A-101,2,5,7,8,10,20
37	3993898006	O-RING ARP-006/HS90 ID2.90 VITON
38	3101200071	HIGH PRESSURE SPRING : A-101,2,5,7,8,10,320
39	3100103210	PTMEG 2000 HIGH PRESSURE SEAT
40	3101001034	BODY A-107 FOR REGULATOR