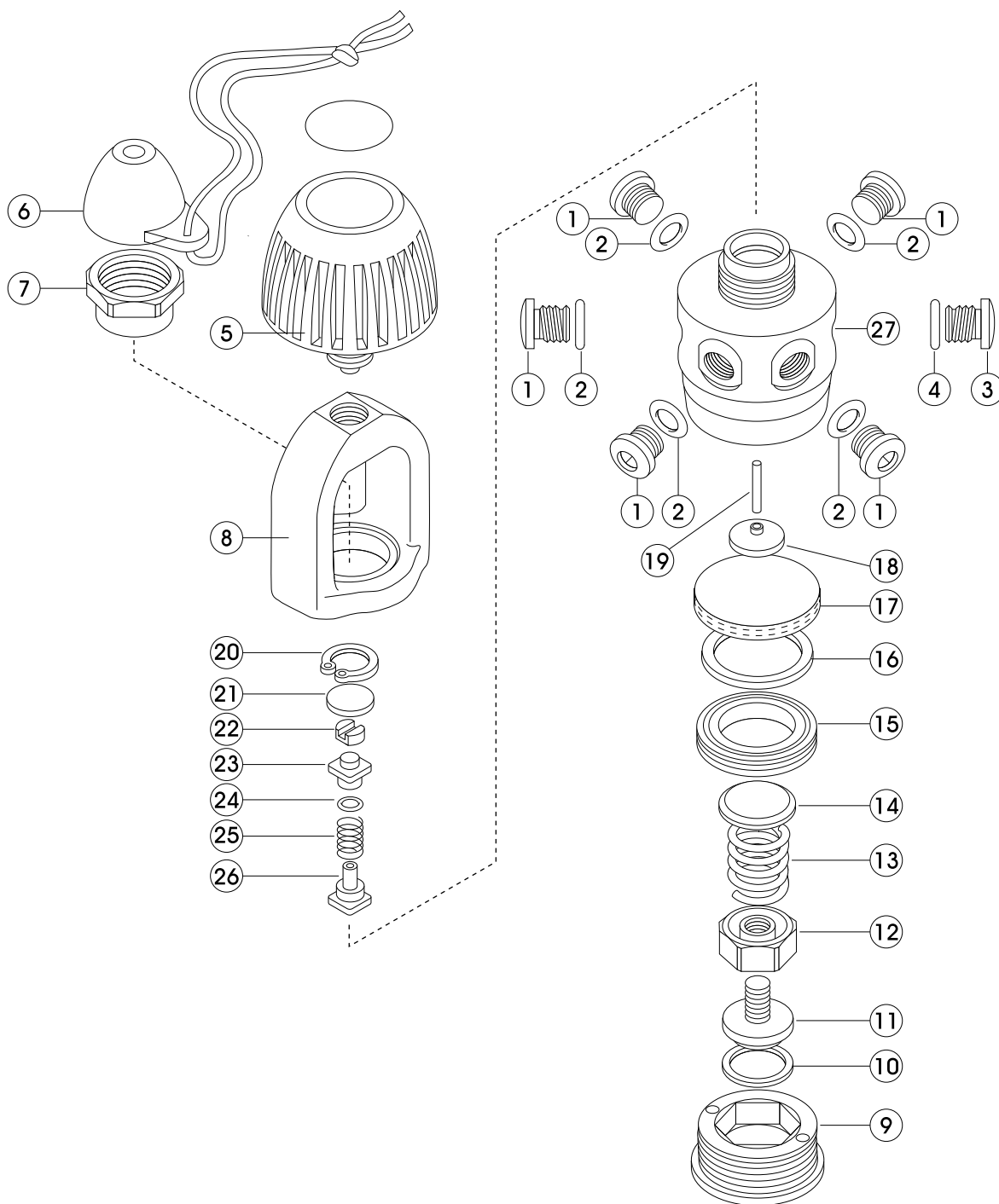


# 1st stage a-101



No.	Code	Description
1a	3100101101	PLUG (A) : 3/8 FOR L.P.
1b	3100101904	PORT PLUG, 1/2 FOR REGULATOR
2a	3993592011	O-RING ARP-011/HS75
2b	3993592013	O-RING ARP-013/HS75
3	3100101903	PORT PLUG, 7/16 FOR H.P. PORT
4	3993898012	O-RING ARP-012/HS90 ID9.25 VITON
5	2102080158	YOKE SCREW W/DECAL
6	1184380003	DUST CAP ASSY
7	3100203045	YOKE RETAINER : A-101,105
8	3101001032	YOKE FOR PRESTIGE (L)
9	3100201044	BODY CAP 102
10	3102470303	TEFLON WASHER FOR REGULATOR
11	3100201043	ADJUSTING SCREW FOR REGULATOR
12	3100203047	GUIDE NUT FOR REGULATOR
13	3101200062	ADJUST SPRING FOR L.P:FOR REGULATOR

No.	Code	Description
14	3100101111	SPRING PAD : FOR A-101,2,5,7,8,10,320
15	3100203046	DIAPHRAGM RETAINER FOR REGULATOR
16	3102480001	DIAPHRAGM WASHER PET
17	3103980105	HIGH PRESSURE DIAPHRAGM
18	3100101105	PUSH ROD PAD : FOR A-101,2,5,7,8,10
19	3990100072	PUSH ROD PIN : A-101,2,5,7,8,10
20	3990500101	RETAINING RING
21	3990800411	FILTER 150 MICRON :SUS316 D/12.6 T/1.66
22	3100103073	CHAMBER SPACER
23	2100100050	BALANCE CHAMBER WITH O-RING: A-101,2,5,7,8,10,20
24	3993898006	O-RING ARP-006/HS90 ID2.90 VITON
25	3101200071	HIGH PRESSURE SPRING : A-101,2,5,7,8,10,320
26	3100103210	PTMEG 2000 HIGH PRESSURE SEAT
27	3101001010	BODY A-101